



## 3/2-way solenoid valve for gases and fluids

- Service friendly manual override
- Analytical pilot valve for increased safety
- Optimized piston design for low switching pressure
- Energy saving impulse coil
- Explosion proof types

Type 0340 can be combined with...

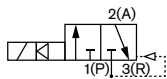


### Type 2508

Cable plug

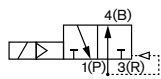
The pilot-controlled 3/2-way solenoid valve Type 0340 with smoothly operating servopiston requires a differential pressure of 0.5 bar for complete opening and closing. A 3/2-way pilot valve (pivoted armature valve) ensures safe and reliable operation.

### Circuit function C



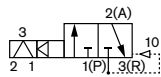
3/2-way valve, when de-energized outlet port A exhausted, with 3-way pilot control

### Circuit function D



3/2-way valve, when de-energized outlet port B pressurized, with 3-way pilot control

### Circuit function C (Impulse)



3/2-way valve, when de-energized outlet port A exhausted, with 3-way pilot control

| Technical data               |  |
|------------------------------|--|
| <b>Orifice</b>               | DN 8 - 40 mm   |
| <b>Body material</b>         | Brass  |
| <b>Seal material</b>         | NBR  |
| <b>Medium</b>                | Neutral medium: Compressed air, water, hydraulic oil   |
| <b>Medium temperature</b>    | 0 to +90 °C  |
| <b>Ambient temperature</b>   | Max. +55 °C  |
| <b>Viscosity</b>             | Max. 21 mm <sup>2</sup> /s   |
| <b>Voltage tolerance</b>     | ±10%   |
| <b>Duty cycle</b>            | Continuous operation 100% ED   |
| <b>Electrical connection</b> | Cable plug for Ø 7 mm cable (included in delivery)<br>Ex-Version only with terminal box or 3 m cable |
| <b>Protection class</b>      | IP65 with Cable Plug or terminal box   |
| <b>Installation</b>          | As required, preferably with actuator upright  |

|  |  |
|--|--|
| <b>Flow rate</b><br>Kv value water [m <sup>3</sup> /h] | measured at +20 °C, 1 bar pressure at valve inlet and free outlet (see ordering chart)                                   |
| <b>Pressure values [bar]</b>                           | Overpressure to the atmospheric pressure (see ordering chart)  |
| <b>Response times [ms]:</b><br>Opening<br>Closing      | Measured at valve outlet at 6 bar and +20 °C<br>Pressure rise 0 to 90%,<br>Pressure drop 100 to 10% (see ordering chart) |

## Technical data

### Standard version

| Orifice [mm] | Kv value water PDA [m³/h] | Port connection A/B and P |       | Pressure range [bar] | Electr. power consumption |        |                |        | Response times |              | Weight [kg] |
|--------------|---------------------------|---------------------------|-------|----------------------|---------------------------|--------|----------------|--------|----------------|--------------|-------------|
|              |                           | G                         | NPT   |                      | Inrush AC [VA]            | DC [W] | [VA] AC [VA/W] | DC [W] | Opening [ms]   | Closing [ms] |             |
| 8            | 0.95                      | 1/4                       | 1/4   | 0.5 - 16             | 30                        | 8      | 15/8           | 8      | 25             | 25           | 1.0         |
| 12           | 2.30                      | 3/8                       | 3/8   |                      |                           |        |                |        | 30             | 30           | 1.2         |
| 12           | 2.60                      | 1/2                       | 1/2   |                      |                           |        |                |        | 30             | 30           | 1.2         |
| 20           | 6.60                      | 3/4                       | 3/4   |                      |                           |        |                |        | 40             | 40           | 2.2         |
| 40           | 24.00                     | 1 1/2                     | 1 1/2 |                      |                           |        |                |        | 120            | 120          | 6.8         |

### Impulse version

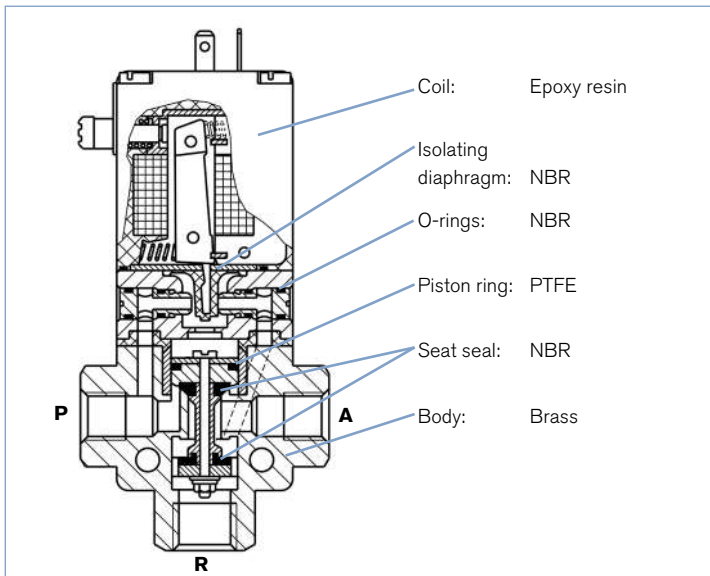
| Orifice [mm] | Kv value water PDA [m³/h] | Port connection A/B and P |       | Pressure range [bar] | Electr. power consumption |        | Response times |              | Weight [kg] |
|--------------|---------------------------|---------------------------|-------|----------------------|---------------------------|--------|----------------|--------------|-------------|
|              |                           | G                         | NPT   |                      | Inrush AC [VA]            | DC [W] | Opening [ms]   | Closing [ms] |             |
| 8            | 0.95                      | 1/4                       | 1/4   | 0.5 - 16             | 11                        | 11     | 25             | 25           | 1.0         |
| 12           | 2.30                      | 3/8                       | 3/8   |                      |                           |        | 30             | 30           | 1.2         |
| 12           | 2.60                      | 1/2                       | 1/2   |                      |                           |        | 30             | 30           | 1.2         |
| 20           | 6.60                      | 3/4                       | 3/4   |                      |                           |        | 40             | 40           | 2.2         |
| 40           | 24.00                     | 1 1/2                     | 1 1/2 |                      |                           |        | 120            | 120          | 6.8         |

### Explosion proofed version with temperature class T5

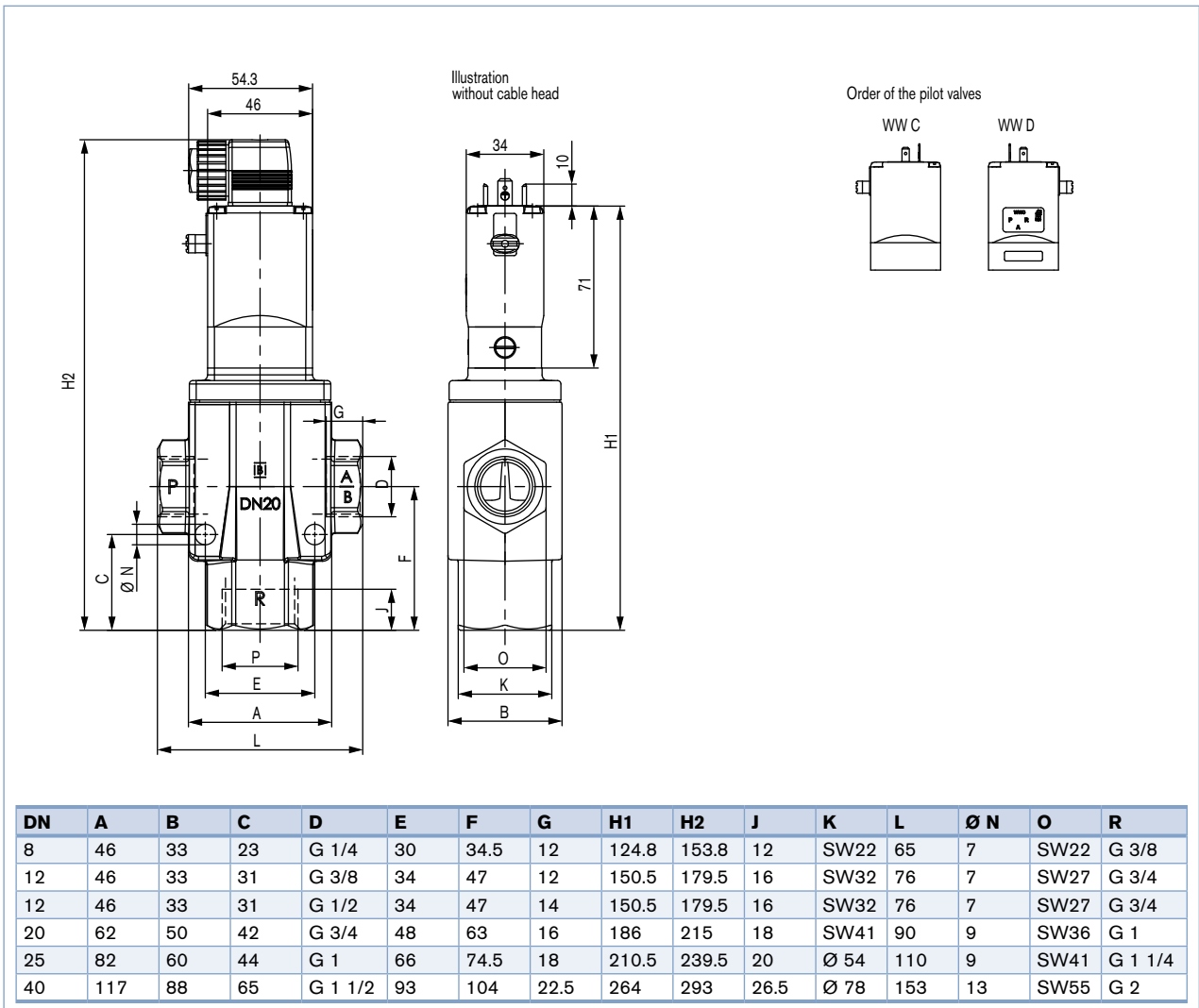
| Orifice [mm] | Kv value water PDA [m³/h] | Port connection A/B and P |     | Pressure range [bar] | Electr. power consumption |                | Response times |              | Weight [kg] |
|--------------|---------------------------|---------------------------|-----|----------------------|---------------------------|----------------|----------------|--------------|-------------|
|              |                           | G                         | NPT |                      | Inrush AC [VA]            | [VA] AC [VA/W] | Opening [ms]   | Closing [ms] |             |
| 8            | 0.95                      | 1/4                       | 1/4 | 0.5 - 16             | 40                        | 3              | 25             | 25           | 1.0         |
| 12           | 2.30                      | 3/8                       | 3/8 |                      |                           |                | 30             | 30           | 1.2         |
| 12           | 2.60                      | 1/2                       | 1/2 |                      |                           |                | 30             | 30           | 1.2         |
| 20           | 6.60                      | 3/4                       | 3/4 |                      |                           |                | 40             | 40           | 2.2         |
| 25           | 10.00                     | 1                         | 1   | 0.5 - 10             |                           |                | 70             | 70           | 2.7         |

The orifice size of connection R is larger than the ports A / B and P (see table of dimensions). Thus, the AR flow rate increases by a factor of 1.5 to 2 in the table value.

Material

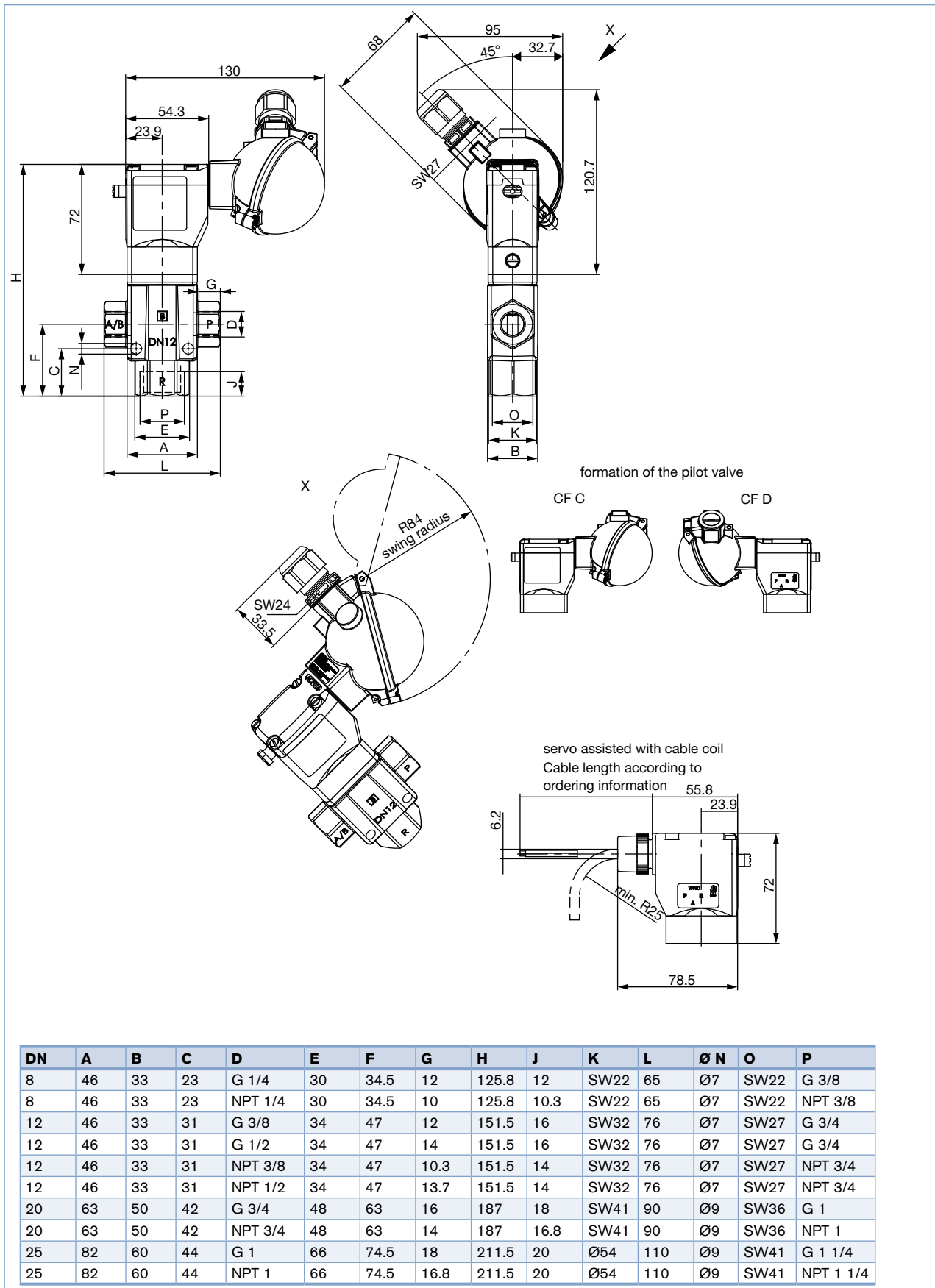


Dimensions [mm] - Standard version



The diagram shows the valve with circuit function C with the terminals P, R and A / B. (see drawing). In circuit function D the manual operation is above port A / B.

Dimensions [mm] - Explosion proof version



## Ordering charts standard version (other versions on request)

All valves with manual override, brass body, NBR seal and cable plug

| Circuit functions                  | Orifice [mm] | Port connection G or NPT | Kv value water P→A [m <sup>3</sup> /h] | Pressure range [bar] | Voltage/Frequency [V/Hz] | Item no. G | Item no. NPT |
|------------------------------------|--------------|--------------------------|--|----------------------|--------------------------|------------|--------------|
| <b>C</b><br>A 3/2-way valve NC<br> | 8.0          | 1/4                      | 0.95                                   | 0.5 - 16             | 012/DC                   | 042506 價   | x            |
|                                    |              |                          |  |                      | 024/DC                   | 041317 價   | x            |
|                                    |              |                          |  |                      | 024/50                   | 041318 價   | x            |
|                                    |              |                          |  |                      | 110/50                   | 041325 價   | x            |
|                                    |              |                          |  |                      | 230/50                   | 041329 價   | x            |
|                                    |              |                          |  |                      | 024/50                   | 041351 價   | x            |
|                                    | 12           | 3/8                      | 2.3                                    | 0.5 - 16             | 230/50                   | 041353 價   | x            |
|                                    |              |                          |  |                      | 024/DC                   | 041333 價   | x            |
|                                    |              |                          |  |                      | 024/50                   | 041334 價   | 151477 價     |
|                                    |              |                          |  |                      | 110/50                   | 041340 價   | x            |
|                                    |              |                          |  |                      | 230/50                   | 041346 價   | x            |
|                                    |              |                          |  |                      | 240/50                   | 042277 價   | x            |
|                                    | 20           | 3/4                      | 6.6                                    | 0.5 - 16             | 024/DC                   | 041354 價   | x            |
|                                    |              |                          |  |                      | 024/50                   | 041665 價   | x            |
|                                    |              |                          |  |                      | 110/50                   | 041359 價   | 125822 價     |
|                                    |              |                          |  |                      | 230/50                   | 041361 價   | x            |
| 024/DC                             |              |                          |  |                      | 041537 價                 | x          |              |
| 110/50                             |              |                          |  |                      | 042864 價                 | 120389 價   |              |
| 25                                 | 1            | 10.0                     | 0.5 - 10                               | 230/50               | 041364 價                 | x          |              |
|                                    |              |                          |  | 024/DC               | 042319 價                 | x          |              |
|                                    |              |                          |  | 230/50               | 041366 價                 | x          |              |
|                                    |              |                          |  | 024/DC               | 042319 價                 | x          |              |
|                                    |              |                          |  | 230/50               | 041366 價                 | x          |              |
|                                    |              |                          |  | 024/DC               | 042319 價                 | x          |              |
| <b>D</b><br>3/2-way valve NO<br>   | 8.0          | 1/4                      | 0.95                                   | 0.5 - 16             | 024/DC                   | 041367 價   | x            |
|                                    |              |                          |  |                      | 024/50                   | 041368 價   | x            |
|                                    |              |                          |  |                      | 230/50                   | 041371 價   | x            |
|                                    | 12           | 3/8                      | 2.3                                    | 0.5 - 16             | 230/50                   | 041386 價   | x            |
|                                    |              |                          |  |                      | 024/DC                   | 041374 價   | x            |
|                                    |              |                          |  |                      | 024/50                   | 041375 價   | x            |
|                                    | 20           | 3/4                      | 6.6                                    | 0.5 - 16             | 230/50                   | 041380 價   | x            |
|                                    |              |                          |  |                      | 024/DC                   | x          | x            |
|                                    |              |                          |  |                      | 024/50                   | x          | x            |
|                                    | 25           | 1                        | 10.0                                   | 0.5 - 10             | 110/50                   | x          | x            |
|                                    |              |                          |  |                      | 230/50                   | x          | x            |
|                                    |              |                          |  |                      | 024/DC                   | x          | x            |
| 40                                 | 1 1/2        | 24.0                     | 0.5 - 10                               | 230/50               | x                        | x          |              |
|                                    |              |                          |  | 024/DC               | x                        | x          |              |
|                                    |              |                          |  | 230/50               | x                        | x          |              |

## Ordering charts - impulse version (other versions on request)

All valves with manual override, brass body, NBR seal and cable plug

| Circuit functions                | Orifice [mm] | Port connection G or NPT | Kv value water P→A [m <sup>3</sup> /h] | Pressure range [bar] | Voltage/Frequency [V/Hz] <sup>1)</sup> | Item no. G | Item no. NPT |          |        |          |   |
|----------------------------------|--------------|--------------------------|--|----------------------|--|------------|--------------|----------|--------|----------|---|
| <b>C</b><br>3/2-way valve NC<br> | 8.0          | 1/4                      | 0.95                                   | 0.5 - 16             | 024/DC                                 | 042016 價   | x            |          |        |          |   |
|                                  |              |                          |  |                      | 12                                     | 1/2        | 2.6          | 0.5 - 16 | 024/DC | 044216 價 | x |
|                                  |              |                          |  |                      | 20                                     | 3/4        | 6.6          | 0.5 - 10 | 024/DC | x        | x |
|                                  |              |                          |  |                      | 40                                     | 1 1/2      | 24.0         | 0.5 - 10 | 024/DC | x        | x |
|                                  | 8.0          | 1/4                      | 0.95                                   | 0.5 - 16             | 024/DC                                 | 122805 價   | x            |          |        |          |   |
|                                  |              |                          |  |                      | 12                                     | 1/2        | 2.6          | 0.5 - 16 | 024/DC | 043429 價 | x |
|                                  |              |                          |  |                      | 20                                     | 3/4        | 6.6          | 0.5 - 10 | 024/DC | x        | x |
|                                  |              |                          |  |                      | 40                                     | 1 1/2      | 24.0         | 0.5 - 10 | 024/DC | x        | x |

<sup>1)</sup> Further voltages on request

x Article variant available, order number upon request

## Ordering charts - explosion proofed versions (other versions on request)

All valves with manual actuation, brass body, NBR seals and cable outlet 3 m <sup>1)</sup>

| Circuit functions                  | Orifice [mm] | Port connection G or NPT | Kv value water P→A [m <sup>3</sup> /h] | Pressure range [bar] | Voltage/Frequency [V/Hz] | Item no. G          | Item no. NPT |
|------------------------------------|--------------|--------------------------|--|----------------------|--------------------------|---------------------|--------------|
| <b>C</b><br>A 3/2-way valve NC<br> | 8.0          | 1/4                      | 0.95                                   | 0.5 - 16             | 024/UC                   | 308349 <sup>x</sup> | x            |
|                                    |              |                          |  |                      | 110/UC                   | x                   | x            |
|                                    |              |                          |  |                      | 230/UC                   | x                   | x            |
|                                    | 12           | 3/8                      | 2.3                                    | 0.5 - 16             | 024/UC                   | x                   | x            |
|                                    |              |                          |  |                      | 110/UC                   | x                   | x            |
|                                    |              |                          |  |                      | 230/UC                   | x                   | x            |
|                                    |              |                          |  |                      | 024/UC                   | 308347 <sup>x</sup> | x            |
|                                    |              |                          |  |                      | 110/UC                   | 309449 <sup>x</sup> | x            |
|                                    |              |                          |  |                      | 230/UC                   | 308345 <sup>x</sup> | x            |
|                                    | 20           | 3/4                      | 6.6                                    | 0.5 - 16             | 024/UC                   | x                   | x            |
|                                    |              |                          |  |                      | 110/UC                   | x                   | x            |
|                                    |              |                          |  |                      | 230/UC                   | x                   | x            |
| 25                                 | 1            | 10.0                     | 0.5 - 10                               | 024/UC               | x                        | x                   |              |
|                                    |              |                          |  | 110/UC               | x                        | x                   |              |
|                                    |              |                          |  | 230/UC               | x                        | x                   |              |
| <b>D</b><br>3/2-way valve NO<br>   | 8.0          | 1/4                      | 0.95                                   | 0.5 - 16             | 024/UC                   | x                   | x            |
|                                    |              |                          |  |                      | 110/UC                   | x                   | x            |
|                                    |              |                          |  |                      | 230/UC                   | x                   | x            |
|                                    | 12           | 1/2                      | 2.6                                    | 0.5 - 16             | 024/UC                   | x                   | x            |
|                                    |              |                          |  |                      | 110/UC                   | x                   | x            |
|                                    |              |                          |  |                      | 230/UC                   | x                   | x            |
|                                    | 20           | 3/4                      | 6.6                                    | 0.5 - 16             | 024/UC                   | x                   | x            |
|                                    |              |                          |  |                      | 110/UC                   | x                   | x            |
|                                    |              |                          |  |                      | 230/UC                   | x                   | x            |
|                                    | 25           | 1                        | 10.0                                   | 0.5 - 10             | 024/UC                   | x                   | x            |
|                                    |              |                          |  |                      | 110/UC                   | x                   | x            |
|                                    |              |                          |  |                      | 230/UC                   | x                   | x            |

<sup>1)</sup> Terminal connection version also available

x Article variant available, order number upon request

To find your nearest Bürkert facility, click on the orange box → [www.burkert.com](http://www.burkert.com)

In case of special application conditions, please consult for advice.

Subject to alterations  
© Christian Bürkert GmbH & Co. KG

1712/6\_EU-en\_00891626