



Servo-assisted 2/2-way diaphragm valve

- Servo-assisted diaphragm valve up to DN 65 orifice
- Separating diaphragm for aggressive and contaminated media
- Closing and opening times can be adjusted individually
- Explosion-proof versions (Cat.2)
- Service-friendly manual override

Product variants described in the data sheet may differ from the product presentation and description.

Can be combined with



Type 2518 ▶
Cable Plug
DIN EN 175301 - 803 -
Form A



Type 1087 ▶
Timer

Type description

The 5282 valve is a servo-assisted diaphragm valve. A minimum differential pressure is required for the valve to function. Various diaphragm material combinations and circuit functions are available depending on the application. The standard brass body satisfies all European drinking water requirements. The body offering is completed with stainless steel versions. The 3/2-way pilot valve can be easily converted from NC to NO circuit function by rotating it on the armature. The solenoid coils are moulded with a chemically resistant epoxy. The 5282 is equipped with manual override for start-up and testing. In combination with a plug acc. to DIN EN 175301-803 Form A and stainless steel body, the valves satisfy the requirements of NEMA 4X.

Table of contents

1. General technical data	3
2. Circuit functions	4
3. Approvals	4
4. Materials	4
4.1. Chemical Resistance Chart – Bürkert resistApp.....	4
4.2. Standard version.....	4
5. Dimensions	5
5.1. Standard versions.....	5
Threaded connection.....	5
Flange connection according to DIN EN 1092 - 1	6
5.2. Explosion-proof version.....	7
Threaded connection.....	7
Flange connection according to DIN EN 1092 - 1	8
6. Product installation	9
6.1. Mounting options.....	9
7. Product accessories	9
7.1. Cable glands for ATEX/IECEX terminal box	9
7.2. Special tool to turn the junction box.....	10
8. Ordering information	10
8.1. Bürkert eShop – Easy ordering and quick delivery.....	10
8.2. Bürkert product filter.....	10
8.3. Ordering chart.....	11
Brass body normally closed – Nominal pressure 0.2...10.....	11
Brass body normally closed – Nominal pressure 0.2...16.....	12
Brass version with stainless steel flange body – Nominal pressure 0.2...10.....	12
Stainless steel body with threaded or flange connection – Nominal pressure 0.2...10	13
Explosion-proof versions	14
8.4. Ordering chart accessories.....	15
Cable plug Type 2518, form A acc. to DIN EN 175301 - 803	15
Accessories for Ex cable glands.....	15

1. General technical data

Product characteristics	
Dimensions	Detailed information can be found in chapter "5. Dimensions" on page 5.
Materials	
Threaded body	Brass according to DIN EN 50930 – 6 DN 13 stainless steel CF3M DN 20...DN 50 stainless steel 1.4581
Flange body	Stainless steel 1.4581
Internal valve parts	Stainless steel, brass
Coil	Epoxide
Seal	NBR, EPDM, FKM
Nominal diameter	DN 13...DN 65
Switching function	Detailed information can be found in chapter "2. Circuit functions" on page 4.
Thermal insulation class of solenoid coil	H
Performance data	
Nominal operating mode	Continuous operation 100 % duty cycle
Switching times ^{1.)}	Opening: 0.1...0.8 sec. Closing: 1.0...4.0 sec.
Electrical data	
Operating voltage	024/DC, 024/56, 230/56, 024/UC, 230/UC
Voltage tolerance	± 10 %
Electrical power consumption	
Standard	Inrush AC 24 VA Operation AC 14/8 VA W DC cold/hot 11/8 W
Ex	Inrush AC 40 VA Operation AC 3 VA W DC cold/hot 40 W inrush / 3 W operation
Medium data	
Operating medium	
NBR	Neutral media, e.g. compressed air, water, hydraulic oil
EPDM	Oil and grease-free media, alkalis, hot water
FKM	Hot air, per solutions, hot oils
Medium temperature	
NBR	0 °C...+80 °C
EPDM	-25 °C...+90 °C
FKM	0 °C...+90 °C
Process/Port connection & communication	
Electrical connection	
Standard	Plug tabs according to DIN EN 175301 - 803 Form A for cable plug Type 2518
Ex	With moulded cable 3 m long, 3 × 0.5 mm ² With terminal box
Approvals and certificates	
Guidelines	CE, EAC
Degree of protection	IP65 with cable plug according to DIN EN 175301 - 803 Form A IP65 with cable connection or terminal box
Environment and installation	
Ambient temperature	Max. +55 °C
Installation position	Any, preferably actuator face up

1.) Measurement at the valve outlet 6 bar and 20 °C. Opening: Pressure build-up 0...90 %, closing: Pressure reduction 100...10 %
The switching times can be changed by turning the throttle screws (in the housing lid).

2. Circuit functions


Circuit function	Description
	Type: A, solenoid valve 2/2 way servo-controlled, with manual override normally closed
	Type: B, solenoid valve 2/2 way servo-controlled, with manual override normally open

3. Approvals

Explosion-proof approvals	
Type of protection (ATEX and IECEx)	
with cable	II 2G Ex mb IIC T4 Gb II 2D Ex mb IIIC T130 °C Db
with terminal box	II 2G Ex eb mb IIC T4 Gb II 2D Ex mb tb IIIC T130 °C Db

4. Materials

4.1. Chemical Resistance Chart – Bürkert resistApp

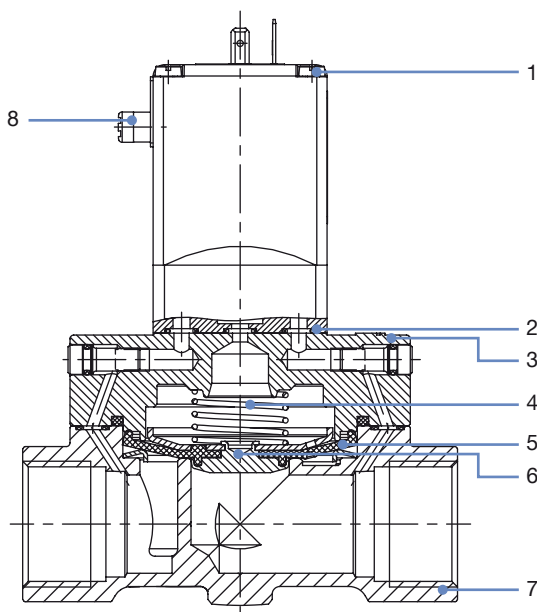


Bürkert resistApp – Chemical Resistance Chart

You want to ensure the reliability and durability of the materials in your individual application case? Verify your combination of media and materials on our website or in our resistApp.

[Start Chemical Resistance Check](#)

4.2. Standard version



No.	Element	Material
1	Coil	Epoxy
2	O-rings	NBR, EPDM, FKM
3	Cover	Brass DN 13 stainless steel 1.4408 DN 20...DN 50 stainless steel 1.4581
4	Springs	Stainless steel 1.4310
5	Diaphragm	NBR, EPDM, FKM
6	Diaphragm holder	Brass, 1.4401 stainless steel
7	Valve body	Brass DN 13 stainless steel CF3M DN 20...DN 50 stainless steel 1.4581
8	Manual override	PA

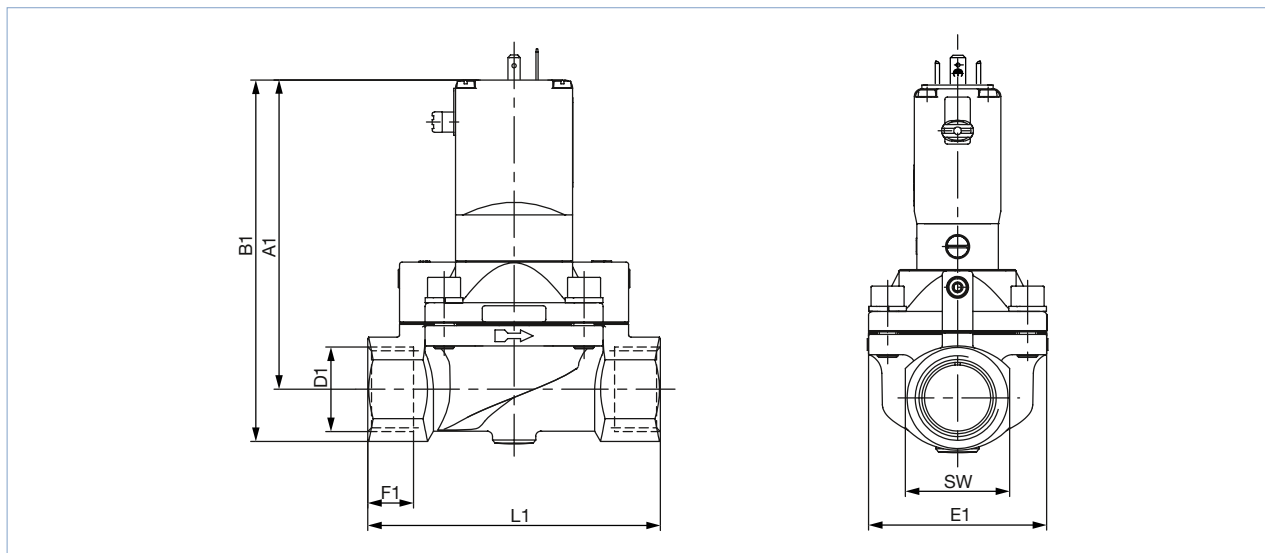
5. Dimensions

5.1. Standard versions

Threaded connection

Note:

- Dimensions in mm
- Dimensions D1 and F1 apply to G thread
- Dimensions D2 and F2 apply to NPT thread
- Dimensions D3 and F3 apply to Rc thread



DN	A1	B1	D1	F1	D2	F2	D3	F3	E1	L1	AF
13 ^{1.)}	109.0	123.0	G ½	14	NPT ½	13.7	Rc ½	13.2	40	65	27
13 ^{2.)}	108.0	124.0	G ½	14	NPT ½	13.7	Rc ½	13.2	40	65	32
13 ^{2.)}	108.0	124.0	G ¾	16	NPT ¾	14.0	Rc ¾	14.5	40	65	32
20 ^{2.)}	115.0	131.0	G ½	14	NPT ½	13.7	Rc ½	13.2	60	100	32
20	115.0	131.0	G ¾	16	NPT ¾	14.0	Rc ¾	14.5	60	100	32
25	121.5	142.0	G 1	18	NPT 1	16.8	Rc 1	16.8	70	115	41
32	122.0	147.0	G 1¼	20	NPT 1¼	17.3	Rc 1¼	19.1	85	126	50
40	126.0	156.0	G 1½	22	NPT 1½	17.3	Rc 1½	19.1	85	126	60
50	142.5	177.5	G 2	24	NPT 2	17.6	Rc 2	23.4	115	164	70
65	142.5	185.0	G 2½	27	NPT 2½	23.6	–	–	115	180	85

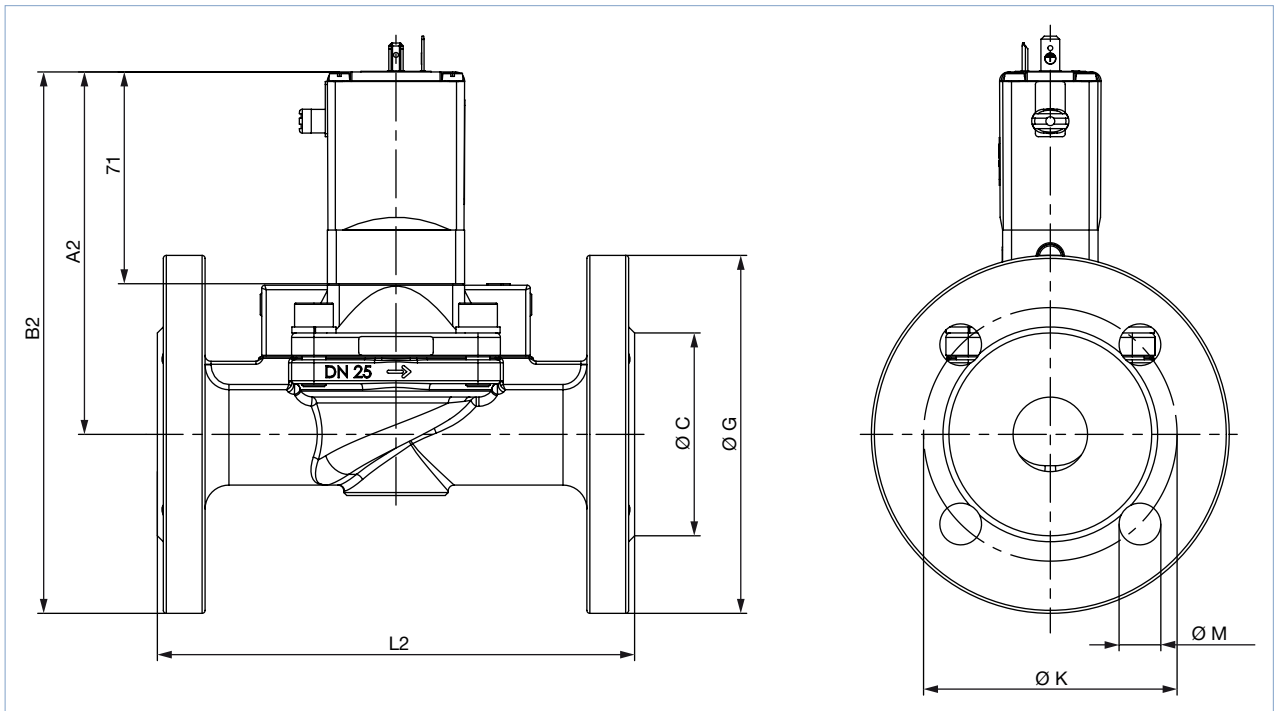
1.) Only in threaded brass connection

2.) Only in threaded stainless steel connection

Flange connection according to DIN EN 1092-1

Note:

Dimensions in mm



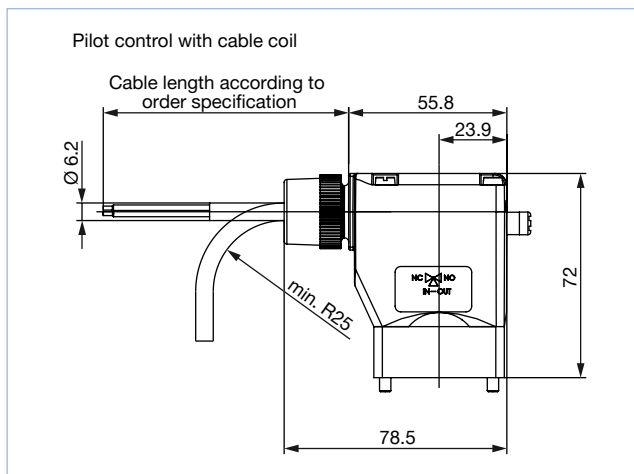
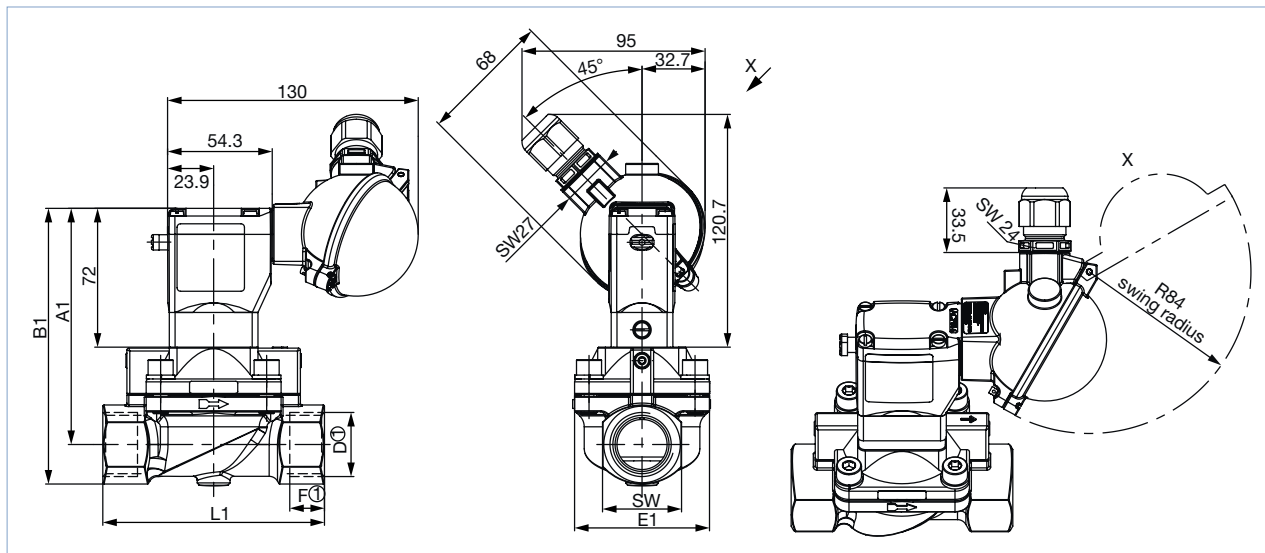
Version	DN	A2	B2	Ø C	Ø G	L2	Ø M	Ø K
Brass with cast stainless steel body	25	121.5	181.5	68	120	160	14	85
	32	122.0	192.0	78	140	180	18	100
	40	128.0	203.0	88	150	200	18	110
	50	142.8	225.3	102	165	230	18	125
Stainless steel with cast stainless steel body	25	120.5	180.5	68	120	160	14	85
	32	122.0	192.0	78	140	180	18	100
	40	128.0	203.0	88	150	200	18	110
	50	142.8	225.3	102	165	230	18	125

5.2. Explosion-proof version

Threaded connection

Note:

- Dimensions in mm
- Dimensions D1 and F1 apply to G thread
- Dimensions D2 and F2 apply to NPT thread
- Dimensions D3 and F3 apply to Rc thread



DN	A1	B1	D1	F1	D2	F2	D3	F3	E1	L1	AF
13 ^{1.)}	110.0	124.0	G ½	14	NPT ½	13.7	Rc ½	13.2	40	65	27
13 ^{2.)}	109.0	125.0	G ½	14	NPT ½	13.7	Rc ½	13.2	40	65	32
13 ^{2.)}	109.0	125.0	G ¾	16	NPT ¾	14.0	Rc ¾	14.5	40	65	32
20 ^{2.)}	116.0	132.0	G ½	14	NPT ½	13.7	Rc ½	13.2	60	100	32
20	116.0	132.0	G ¾	16	NPT ¾	14.0	Rc ¾	14.5	60	100	32
25	122.5	143.0	G 1	18	NPT 1	16.8	Rc 1	16.8	70	115	41
32	123.0	148.0	G 1¼	20	NPT 1¼	17.3	Rc 1¼	19.1	85	126	50
40	127.0	157.0	G 1½	22	NPT 1½	17.3	Rc 1½	19.1	85	126	60
50	143.8	178.8	G 2	24	NPT 2	17.6	Rc 2	23.4	115	164	70
65	143.5	186.0	G 2½	27	NPT 2½	23.6	-	-	115	180	85

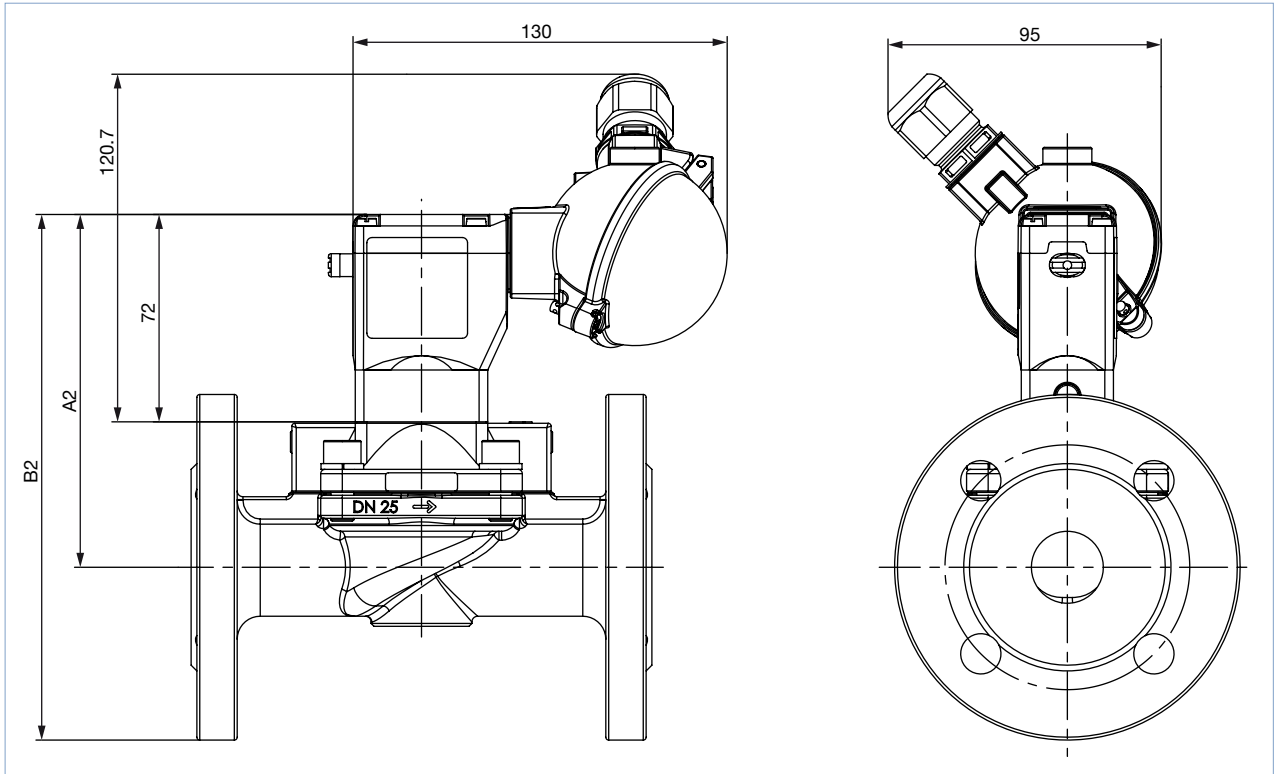
1.) Only in threaded brass connection

2.) Only in threaded stainless steel connection

Flange connection according to DIN EN 1092-1

Note:

- Dimensions in mm
- Dimensions of coil and terminal connection box see “Threaded connection” on page 7.



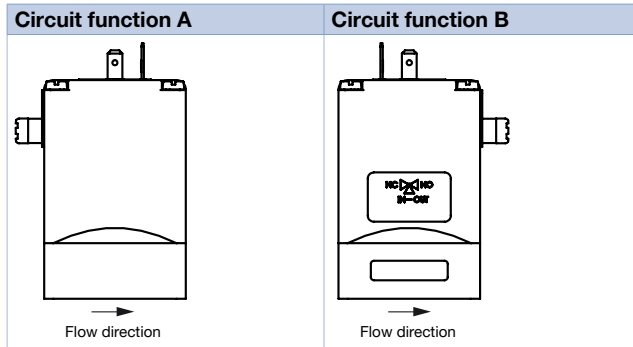
Version	DN	A2	B2	Ø C	Ø G	L2	Ø M	Ø K
Brass with cast stainless steel body	25	122.5	182.5	68	120	160	14	85
	32	123.0	193.0	78	140	180	18	100
	40	129.0	204.0	88	150	200	18	110
	50	143.8	226.3	102	165	230	18	125
Stainless steel with cast stainless steel body	25	121.5	181.5	68	120	160	14	85
	32	123.0	193.0	78	140	180	18	100
	40	129.0	204.0	88	150	200	18	110
	50	143.8	226.3	102	165	230	18	125

6. Product installation

6.1. Mounting options

Note:

- Delivery status corresponds to the order code. Turning the pilot valve through 180° changes the circuit function of the valve.
- The circuit function can only be changed for versions up to 10 bar.



7. Product accessories

7.1. Cable glands for ATEX/IECEX terminal box

Note:

A cable gland in polyamide version is included in the delivery. A nickel-plated brass version can be ordered at a surcharge, see “8.4. Ordering chart accessories” on page 15.

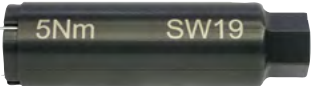
Description	Ex approvals		Dimensions											
	Certification	Identification												
Ex cable gland, Brass, nickelplated, 6...13 mm 	PTB 04 ATEX 1112 X, IECEX PTB 13.0027X	II 2 G Ex e IIC Gb, II 2 D Ex tb IIIC Db IP68		<table border="1"> <tr><td>TL</td><td>29...37 mm</td></tr> <tr><td>L</td><td>6 mm</td></tr> <tr><td>D</td><td>20 mm</td></tr> <tr><td>SW</td><td>24 mm</td></tr> <tr><td>E</td><td>27 mm</td></tr> </table>	TL	29...37 mm	L	6 mm	D	20 mm	SW	24 mm	E	27 mm
TL	29...37 mm													
L	6 mm													
D	20 mm													
SW	24 mm													
E	27 mm													
Ex cable gland, Polyamide, 7...13 mm 	PTB 13 ATEX 1015 X, IECEX PTB 13.0034X	II 2 G Ex e IIC Gb, II 2 D Ex tb IIIC Db IP68		<table border="1"> <tr><td>TL</td><td>36...45 mm</td></tr> <tr><td>L</td><td>10 mm</td></tr> <tr><td>D</td><td>20 mm</td></tr> <tr><td>SW</td><td>24 mm</td></tr> <tr><td>E</td><td>28 mm</td></tr> </table>	TL	36...45 mm	L	10 mm	D	20 mm	SW	24 mm	E	28 mm
TL	36...45 mm													
L	10 mm													
D	20 mm													
SW	24 mm													
E	28 mm													

DTS 1000011015 EN Version: O Status: RL (released | freigegeben | validé) printed: 01.12.2021

7.2. Special tool to turn the junction box

Note:

This special tool is not supplied with the valve, see [“8.4. Ordering chart accessories”](#) on page 15.

Set SC02-AC10	Set includes:
	<ul style="list-style-type: none"> • Special wrench • Service manual

8. Ordering information

8.1. Bürkert eShop – Easy ordering and quick delivery



Bürkert eShop – Easy ordering and fast delivery

You want to find your desired Bürkert product or spare part quickly and order directly? Our online shop is available for you 24/7. Sign up and enjoy all the benefits.

[Order online now](#)

8.2. Bürkert product filter



Bürkert product filter – Get quickly to the right product

You want to select products comfortably based on your technical requirements? Use the Bürkert product filter and find suitable articles for your application quickly and easily.

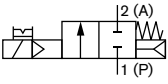
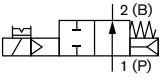
[Try out our product filter](#)

8.3. Ordering chart

Note:

Please note that the cable plug must be ordered separately, see “8.4. Ordering chart accessories” on page 15 or separate data sheet for **Type 2518** ▶.

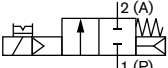
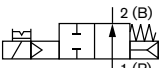
Brass body normally closed – Nominal pressure 0.2...10

Circuit function	Port connection	Nominal diameter	Flow coefficient water ^{1.)}	Nominal pressure ^{2.)}	Weight	Article no. according to voltage/frequency		
						024/DC	024/50 – 60	230/50 – 60
		[mm]	[m ³ /h]	[bar]	[kg]	[V/Hz]	[V/Hz]	[V/Hz]
With threaded connection and manual override, without cable plug								
A, solenoid valve 2/2 way servo-controlled, with manual override normally closed 	Seal material NBR							
	G ½	13.0	4.0	0.2...10	0.95	134430	134431	134433
	G ¾	20.0	6.5	0.2...10	1.40	134434	134435	134437
	G 1	25.0	10.0	0.2...10	1.85	134438	134439	134441
	G 1¼	32.0	20.0	0.2...10	2.60	134442	134443	134445
	G 1½	40.0	20.0	0.2...10	3.05	134446	134447	134449
	G 2	50.0	40.0	0.2...10	5.15	134450	134451	134453
	G 2½	65.0	40.0	0.2...10	5.90	134454	134455	134457
B, solenoid valve 2/2 way servo-controlled, with manual override normally open 	Seal material FKM							
	G ½	13.0	4.0	0.2...10	0.95	134486	134487	134489
	G ¾	20.0	6.5	0.2...10	1.40	134490	134491	134493
	G 1	25.0	10.0	0.2...10	1.85	134494	134495	134497
	G 1¼	32.0	20.0	0.2...10	2.60	134498	134499	134501
	G 1½	40.0	20.0	0.2...10	3.05	134502	134503	134505
	G 2	50.0	40.0	0.2...10	5.15	134506	134507	134509
	G 2½	65.0	40.0	0.2...10	5.90	134510	134511	134513
	Seal material EPDM							
	G ½	13.0	4.0	0.2...10	0.95	134458	134459	134461
	G ¾	20.0	6.5	0.2...10	1.40	134462	134463	134465
	G 1	25.0	10.0	0.2...10	1.85	134466	134467	134469
	G 1¼	32.0	20.0	0.2...10	2.60	134470	134471	134473
	G 1½	40.0	20.0	0.2...10	3.05	134474	134475	134477
	G 2	50.0	40.0	0.2...10	5.15	134478	134479	134481
G 2½	65.0	40.0	0.2...10	5.90	134482	134483	134485	

1.) Measurement at +20 °C, 1 bar pressure at the valve inlet and free outlet, a pressure difference of 0.5 bar is required to open the full cross-section.

2.) Pressure data: Overpressure to atmospheric pressure

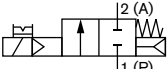
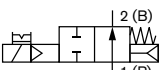
Brass body normally closed – Nominal pressure 0.2...16

Circuit function	Port connection	Nominal diameter	K _v value water ^{1.)}	Nominal pressure ^{2.)}	Weight	Article no. according to voltage/frequency		
						024/DC	024/50 – 60	230/50 – 60
		[mm]	[m ³ /h]	[bar]	[kg]	[V/Hz]	[V/Hz]	[V/Hz]
With threaded connection and manual override, without cable plug								
A, solenoid valve 2/2 way servo-controlled, with manual override normally closed 	Seal material NBR							
	G ½	13.0	4.0	0.2...16	0.95	187421 ☞	254814 ☞	187422 ☞
	G ¾	20.0	6.5	0.2...16	1.40	187423 ☞	237670 ☞	186719 ☞
	G 1	25.0	10.0	0.2...16	1.85	202683 ☞	246449 ☞	183126 ☞
	G 1¼	32.0	20.0	0.2...16	2.60	202684 ☞	on request	202680 ☞
	G 1½	40.0	20.0	0.2...16	3.05	202685 ☞	209365 ☞	202681 ☞
G 2	50.0	40.0	0.2...16	5.15	202686 ☞	318245 ☞	202682 ☞	
B, solenoid valve 2/2 way servo-controlled, with manual override normally open 	Seal material NBR							
	G ½	13.0	4.0	0.2...16	0.95	184959 ☞	250917 ☞	184960 ☞
	G ¾	20.0	6.5	0.2...16	1.40	189506 ☞	on request	189342 ☞
	G 1	25.0	10.0	0.2...16	1.85	183129 ☞	223653 ☞	183132 ☞
	G 1¼	32.0	20.0	0.2...16	2.60	242280 ☞	on request	242277 ☞
	G 1½	40.0	20.0	0.2...16	3.05	207728 ☞	on request	214331 ☞
G 2	50.0	40.0	0.2...16	5.15	242281 ☞	on request	242278 ☞	

1.) Measurement at +20 °C, 1 bar pressure at the valve inlet and free outlet, a pressure difference of 0.5 bar is required to open the full cross-section.

2.) Pressure data: Overpressure to atmospheric pressure

Brass version with stainless steel flange body – Nominal pressure 0.2...10

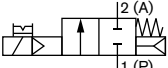
Circuit function	Port connection	Nominal diameter	K _v value water ^{1.)}	Nominal pressure ^{2.)}	Weight	Article no. according to voltage/frequency	
						024/DC	230/50 – 60
		[mm]	[m ³ /h]	[bar]	[kg]	[V/Hz]	[V/Hz]
With flange connection acc. to DIN EN 1092 - 1 and manual override, without cable plug							
A, solenoid valve 2/2 way servo-controlled, with manual override normally closed 	Seal material NBR						
	Flange	25.0	10.0	0.2...10	5.2	355263 ☞	355266 ☞
	Flange	32.0	20.0	0.2...10	6.7	355269 ☞	on request
	Flange	40.0	20.0	0.2...10	7.4	355261 ☞	355265 ☞
B, solenoid valve 2/2 way servo-controlled, with manual override normally open 	Seal material NBR						
	Flange	25.0	10.0	0.2...10	5.2	355263 ☞	355266 ☞
	Flange	32.0	20.0	0.2...10	6.7	355269 ☞	on request
	Flange	40.0	20.0	0.2...10	7.4	355261 ☞	355265 ☞

1.) Measurement at +20 °C, 1 bar pressure at the valve inlet and free outlet, a pressure difference of 0.5 bar is required to open the full cross-section.

2.) Pressure data: Overpressure to atmospheric pressure





DTS 1000011015 EN Version: O Status: RL (released | freigegeben | valide) printed: 01.12.2021

Stainless steel body with threaded or flange connection – Nominal pressure 0.2...10

Circuit function	Port connection	Nominal diameter	Flow coefficient water ^{1.)}	Nominal pressure ^{2.)}	Weight	Article no. according to voltage/frequency		
		[mm]	[m ³ /h]	[bar]		024/DC	024/50 – 60	230/50 – 60
						[V/Hz]	[V/Hz]	[V/Hz]
With threaded or flange connection and manual override, without cable plug								
A, solenoid valve 2/2 way servo-controlled, with manual override normally closed 	Threaded connection, seal material NBR							
	G ½	13.0	4.0	0.2...10	0.91	281976	281979	281981
	G ¾	20.0	6.5	0.2...10	1.40	137142	137143	137145
	G 1	25.0	10.0	0.2...10	1.80	137146	137147	137149
	G 1¼	32.0	20.0	0.2...10	2.25	137150	137151	137153
	G 1½	40.0	20.0	0.2...10	2.70	137154	137155	137157
	G 2	50.0	40.0	0.2...10	4.80	137158	137159	137161
	Threaded connection, seal material FKM							
	G ½	13.0	4.0	0.2...10	0.91	220291	220292	220294
	G ¾	20.0	6.5	0.2...10	1.40	134518	134519	134521
	G 1	25.0	10.0	0.2...10	1.80	134522	134523	134525
	G 1¼	32.0	20.0	0.2...10	2.25	134526	134527	134529
	G 1½	40.0	20.0	0.2...10	2.70	134530	134531	134533
	G 2	50.0	40.0	0.2...10	4.80	134534	134535	134537
Threaded connection, seal material EPDM								
G ½	13.0	4.0	0.2...10	0.91	220297	220298	220300	
G ¾	20.0	6.5	0.2...10	1.40	145709	on request	141714	
G 1	25.0	10.0	0.2...10	1.80	141078	93909807	146160	
G 1¼	32.0	20.0	0.2...10	2.25	438559	on request	147803	
G 1½	40.0	20.0	0.2...10	2.70	141667	on request	139823	
G 2	50.0	40.0	0.2...10	4.80	141075	on request	146530	
Flange connection according to DIN EN 1092-1, seal material FKM								
Flange	25.0	10.0	0.2...10	5.1	361400	361401	361403	
Flange	32.0	20.0	0.2...10	6.45	361404	361405	361406	
Flange	40.0	20.0	0.2...10	7.2	361407	361408	361409	
Flange	50.0	40.0	0.2...10	11.3	361410	361411	361412	
Flange connection according to DIN EN 1092-1, seal material EPDM								
Flange	25.0	10.0	0.2...10	5.1	371943	on request	368163	
Flange	32.0	20.0	0.2...10	6.45	on request	on request	367561	
Flange	40.0	20.0	0.2...10	7.2	on request	on request	on request	
Flange	50.0	40.0	0.2...10	11.3	361414	on request	367562	

1.) Measurement at +20 °C, 1 bar pressure at the valve inlet and free outlet, a pressure difference of 0.5 bar is required to open the full cross-section.

2.) Pressure data: Overpressure to atmospheric pressure

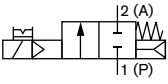
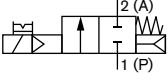
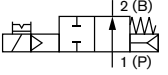
Further versions on request		
	Additional With optical position indicator or electrical position feedback sensor as potential-free contact or Namur signal	 Pressure Pressure range up to 16 bar
	Approval UL, UR, CSA, Hazardous Locations Expl. proof, Ex, KOSHA, NEPSI, CGA/AGA, FM Ex Div. 1 or 2, drinking water approval acc. to UBA assessment principles (PF23), impulse version	 Voltage Further voltages

DTS 1000011015 EN Version: O Status: RL (released | freigegeben | valide) printed: 01.12.2021

Explosion-proof versions




Note:

- Max. switching frequency 20/min at max. medium temperature 70 °C and max. ambient temperature 40 °C
- Max. switching frequency 5/min at max. medium temperature 90 °C and max. ambient temperature 55 °C

Circuit function	Port connection	Nominal diameter	Flow coefficient water ^{1.)}	Pressure range ^{2.)}	Weight	Article no. per voltage		
		[mm]	[m ³ /h]	[bar]		[kg]	024/UC [V/Hz]	230/UC [V/Hz]
With manual override and terminal connection box								
A, solenoid valve 2/2 way servo-controlled, with manual override normally closed 	Brass body with threaded connection, seal material FKM							
	G 1/2	13	4.0	0.5...10	1.1	355080	355093	
	G 3/4	20	6.5	0.5...10	1.5	355110	355098	
	G 1	25	10.0	0.5...10	2.0	355096	355097	
	G 1 1/4	32	20.0	0.5...10	2.7	on request	on request	
	G 1 1/2	40	20.0	0.5...10	3.2	355118	355088	
	G 2	50	40.0	0.5...10	5.3	on request	on request	
	Stainless steel body with threaded connection, seal material FKM							
	G 1/2	13	4.0	0.5...10	1.0	355087	355103	
	G 1/2	20	5.0	0.5...10	1.5	355081	355085	
	G 3/4	20	6.5	0.5...10	1.5	355089	355092	
	G 1	25	10.0	0.5...10	1.9	355084	355102	
G 1 1/4	32	20.0	0.5...10	2.4	on request	355107		
G 1 1/2	40	20.0	0.5...10	2.8	370934	355111		
G 2	50	40.0	0.5...10	4.9	on request	on request		
With manual override and cable outlet, cable 3 m								
A, solenoid valve 2/2 way servo-controlled, with manual override normally closed 	Brass body with threaded connection, seal material NBR							
	G 1/2	13	4.0	0.5...10	1.0	349632	349634	
	G 3/4	20	6.5	0.5...10	1.5	349647	349648	
	G 1	25	10.0	0.5...10	1.9	349627	349637	
	G 1 1/4	32	20.0	0.5...10	2.7	349644	349649	
	G 1 1/2	40	20.0	0.5...10	3.1	349651	349652	
	G 2	50	40.0	0.5...10	5.2	349635	349650	
	G 2 1/2	65	40.0	0.5...10	6.0	357536	349653	
	B, solenoid valve 2/2 way servo-controlled, with manual override normally open 							

1.) Measurement at +20 °C, 1 bar pressure at the valve inlet and free outlet, a pressure difference of 0.5 bar is required to open the full cross-section.

2.) Pressure data: Overpressure to atmospheric pressure


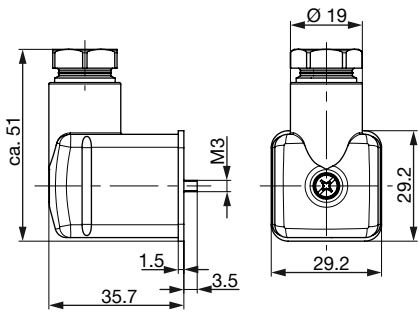



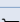
Further versions on request	
 Material Seal material: NBR, FKM, EPDM	 Pressure Pressure range up to 16 bar
 Voltage 110/UC	

8.4. Ordering chart accessories

Cable plug Type 2518, form A acc. to DIN EN 175301 - 803

Note:


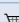
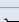
For other versions see data sheet **Type 2518** ▶.

Cable plug	Dimensions	Version	Voltage	Article no.
		Without circuitry (AC/DC)	0...250 V AC/DC	314802 
		With LED (AC/DC)	12...24 V AC/DC	314812 
		With LED and varistor (AC/DC)	12...24 V AC/DC	314820 
		With rectifier, LED and varistor	12...24 V AC/DC	314816 

Accessories for Ex cable glands

Note:

A polyamide cable gland is included in the scope of delivery. Brass nickel-plated can be ordered for an additional charge. For more detailed information on Ex cable glands see **"7. Product accessories"** on page 9.

Description	Article no.
Ex cable gland, brass nickel-plated, 6...13 mm ¹⁾	773278 
Ex cable gland, polyamide, 7...13 mm ¹⁾	773277 
Set SC02-AC10, special wrench ²⁾ , Service instructions	293488 

1.) Cable diameter

2.) Not included in the scope of delivery of the valve

Bürkert – Close to You

For up-to-date addresses
please visit us at
www.burkert.com

DTS 1000011015 EN Version: O Status: RL (released | freigegeben | validé) printed: 01.12.2021

