

## Series 840

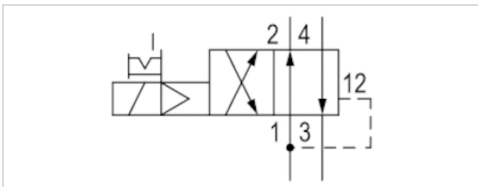


AVENTICS™ Series 840









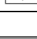
# 4/2-directional valve, Series 840

- 4/2
- Qn = 200 l/min
- Pilot valve width : 22.5 mm
- Pipe connection
- Compressed air connection output : Ø 6x1
- Electrical connection : Plug, EN 175301-803, form C
- Manual override : with detent
- single solenoid
- With air spring return
- Pilot : Internal



Version	Diaphragm poppet valve
Activation	Electrically
Pilot	Internal
Sealing principle	Soft sealing
Working pressure min./max.	1.5 ... 10 bar
Note	The maximum operating pressure depends on the ambient temperature. The following values are applicable -15 °C ... 50 °C = Operating pressure 1.5 bar ... 8 bar possible -15 °C ... 40 °C = Operating pressure 1.5 bar ... 10 bar possible.
Control pressure min./max.	1.5 ... 10 bar
Ambient temperature min./max.	-15 ... 50 °C
Medium temperature min./max.	-15 ... 50 °C
Medium	Compressed air
Max. particle size	50 µm
Oil content of compressed air	0 ... 1 mg/m <sup>3</sup>
Nominal flow Qn	200 l/min
Connector standard	EN 175301-803, form C
Protection class with connection	IP65
Reverse polarity protection	Protected against polarity reversal
Duty cycle	100 %
Typ. switch-on time	12 ms
Typ. switch-off time	12 ms
Mounting on manifold strip	PRS strip
Weight	See table below

## Technical data

Part No.	MO	Compressed air connection	
		Input	Output
5728400410		Ø 6x1	Ø 6x1
5728400420		Ø 6x1	Ø 6x1
5728400620		Ø 6x1	Ø 6x1
5728405420		Ø 6x1	Ø 6x1
5728405470		Ø 6x1	Ø 6x1
5728405480		Ø 6x1	Ø 6x1
5728405680		Ø 6x1	Ø 6x1

Part No.	Compressed air connection	
	Exhaust	Pilot Exhaust
5728400410	Ø 6x1	Ø 4,5
5728400420	Ø 6x1	Ø 4,5
5728400620	Ø 6x1	Ø 4,5
5728405420	Ø 6x1	Ø 4,5
5728405470	Ø 6x1	Ø 4,5
5728405480	Ø 6x1	Ø 4,5
5728405680	Ø 6x1	Ø 4,5

Part No.	Operational voltage	Operational voltage	Operational voltage
	DC	AC 50 Hz	AC 60 Hz
5728400410	12 V	-	-
5728400420	24 V	-	-
5728400620	24 V	-	-
5728405420	-	24 V	24 V
5728405470	-	110 V	110 V
5728405480	-	230 V	230 V
5728405680	-	230 V	230 V

Part No.	Voltage tolerance	Voltage tolerance	Voltage tolerance	Power consumption
	DC	AC 50 Hz	AC 60 Hz	DC
5728400410	-10% / +10%	-	-	1.6 W
5728400420	-10% / +10%	-	-	1.6 W
5728400620	-10% / +10%	-	-	1.6 W
5728405420	-	-10% / +15%	-10% / +15%	-
5728405470	-	-10% / +15%	-10% / +15%	-
5728405480	-	-10% / +15%	-10% / +15%	-
5728405680	-	-10% / +15%	-10% / +15%	-

Part No.	Holding power	Holding power	Switch-on power	Switch-on power
	AC 50 Hz	AC 60 Hz	AC 50 Hz	AC 60 Hz
5728400410	-	-	-	-
5728400420	-	-	-	-
5728400620	-	-	-	-
5728405420	2.2 VA	1.9 VA	3 VA	2.6 VA
5728405470	2.2 VA	1.9 VA	3.1 VA	2.6 VA
5728405480	2.3 VA	2 VA	3.2 VA	2.8 VA

Part No.	Holding power	Holding power	Switch-on power	Switch-on power
	AC 50 Hz	AC 60 Hz	AC 50 Hz	AC 60 Hz
5728405680	2.5 VA	2.2 VA	3.5 VA	3 VA

Part No.	LED status display	Weight
5728400410	-	0.096 kg
5728400420	-	0.097 kg
5728400620	Red	0.097 kg
5728405420	-	0.095 kg
5728405470	-	0.096 kg
5728405480	-	0.095 kg
5728405680	Red	0.095 kg

Nominal flow  $Q_n$  at 6 bar and  $\Delta p = 1$  bar, MO = Manual override

## Technical information

The min. control pressure must be adhered to, since otherwise faulty switching and valve failure may result!

The pressure dew point must be at least 15 °C under ambient and medium temperature and may not exceed 3 °C .

The oil content of compressed air must remain constant during the life cycle.

Use only the approved oils from AVENTICS. Further information can be found in the "Technical information" document (available in the MediaCentre).

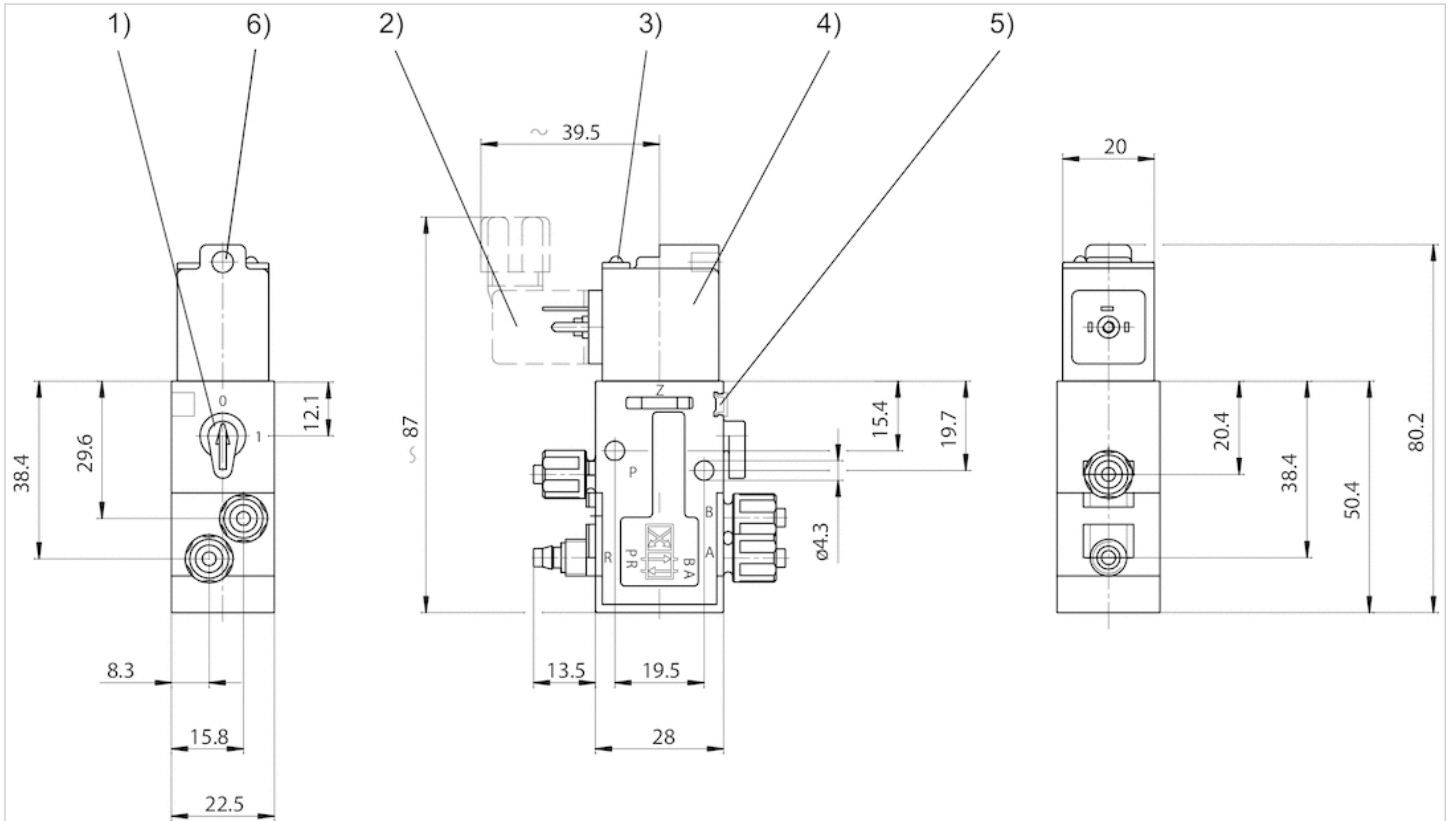
Versions with voltage of less than 50 V DC do not have a protective ground.

## Technical information

Material	
Housing	Polyoxymethylene
Seals	Acrylonitrile butadiene rubber

## Dimensions

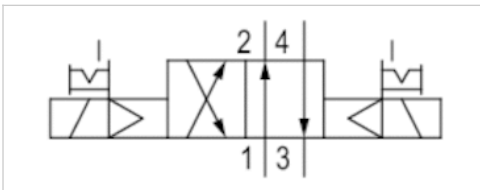
### Dimensions



1) Manual override 2) Valve plug connector 3) LED display 4) Coil can be rotated at 180° intervals 5) Mounting space for name plate 6) Hole for M5 fitting or silencer Ø 4.5 mm







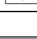
## 4/2-directional valve, Series 840

- 4/2
- $Q_n = 200$  l/min
- Pilot valve width : 22.5 mm
- Pipe connection
- Compressed air connection output :  $\varnothing 6 \times 1$
- Electrical connection : Plug, EN 175301-803, form C
- Manual override : with detent
- double solenoid
- Pilot : Internal



Version	Diaphragm poppet valve
Activation	Electrically
Pilot	Internal
Sealing principle	Soft sealing
Working pressure min./max.	1.8 ... 10 bar
Note	The maximum operating pressure depends on the ambient temperature. The following values are applicable: -15 °C ... 50 °C: Operating pressure 1.8 bar ... 8 bar possible. -15 °C ... 40 °C: Operating pressure 1.8 bar ... 10 bar possible.
Control pressure min./max.	1.8 ... 10 bar
Ambient temperature min./max.	-15 ... 50 °C
Medium temperature min./max.	-15 ... 50 °C
Medium	Compressed air
Max. particle size	50 $\mu\text{m}$
Oil content of compressed air	0 ... 1 mg/m <sup>3</sup>
Nominal flow $Q_n$	200 l/min
Connector standard	EN 175301-803, form C
Protection class with connection	IP65
Reverse polarity protection	Protected against polarity reversal
Duty cycle	100 %
Typ. switch-on time	12 ms
Typ. switch-off time	12 ms
Mounting on manifold strip	PRS strip
Weight	See table below

## Technical data

Part No.	MO	Compressed air connection	
		Input	Output
5728410410		Ø 6x1	Ø 6x1
5728410420		Ø 6x1	Ø 6x1
5728410620		Ø 6x1	Ø 6x1
5728415420		Ø 6x1	Ø 6x1
5728415470		Ø 6x1	Ø 6x1
5728415480		Ø 6x1	Ø 6x1
5728415680		Ø 6x1	Ø 6x1

Part No.	Compressed air connection	
	Exhaust	Pilot Exhaust
5728410410	Ø 6x1	Ø 4,5
5728410420	Ø 6x1	Ø 4,5
5728410620	Ø 6x1	Ø 4,5
5728415420	Ø 6x1	Ø 4,5
5728415470	Ø 6x1	Ø 4,5
5728415480	Ø 6x1	Ø 4,5
5728415680	Ø 6x1	Ø 4,5

Part No.	Operational voltage	Operational voltage	Operational voltage
	DC	AC 50 Hz	AC 60 Hz
5728410410	12 V	-	-
5728410420	24 V	-	-
5728410620	24 V	-	-
5728415420	-	24 V	24 V
5728415470	-	110 V	110 V
5728415480	-	230 V	230 V
5728415680	-	230 V	230 V

Part No.	Voltage tolerance	Voltage tolerance	Voltage tolerance	Power consumption
	DC	AC 50 Hz	AC 60 Hz	DC
5728410410	-10% / +10%	-	-	1.6 W
5728410420	-10% / +10%	-	-	1.6 W
5728410620	-10% / +10%	-	-	1.6 W
5728415420	-	-10% / +15%	-10% / +15%	-
5728415470	-	-10% / +15%	-10% / +15%	-
5728415480	-	-10% / +15%	-10% / +15%	-
5728415680	-	-10% / +15%	-10% / +15%	-

Part No.	Holding power	Holding power	Switch-on power	Switch-on power
	AC 50 Hz	AC 60 Hz	AC 50 Hz	AC 60 Hz
5728410410	-	-	-	-
5728410420	-	-	-	-
5728410620	-	-	-	-
5728415420	2.1 VA	1.9 VA	3 VA	2.6 VA
5728415470	2.2 VA	1.9 VA	3.1 VA	2.6 VA
5728415480	2.3 VA	2 VA	3.2 VA	2.8 VA

Part No.	Holding power	Holding power	Switch-on power	Switch-on power
	AC 50 Hz	AC 60 Hz	AC 50 Hz	AC 60 Hz
5728415680	2.5 VA	2.2 VA	3.5 VA	3 VA

Part No.	LED status display	Weight
5728410410	-	0.156 kg
5728410420	-	0.157 kg
5728410620	Red	0.158 kg
5728415420	-	0.153 kg
5728415470	-	0.157 kg
5728415480	-	0.156 kg
5728415680	Red	0.16 kg

Nominal flow  $Q_n$  at 6 bar and  $\Delta p = 1$  bar, MO = Manual override

## Technical information

The min. control pressure must be adhered to, since otherwise faulty switching and valve failure may result!

The pressure dew point must be at least 15 °C under ambient and medium temperature and may not exceed 3 °C .

The oil content of compressed air must remain constant during the life cycle.

Use only the approved oils from AVENTICS. Further information can be found in the "Technical information" document (available in the MediaCentre).

Versions with voltage of less than 50 V DC do not have a protective ground.

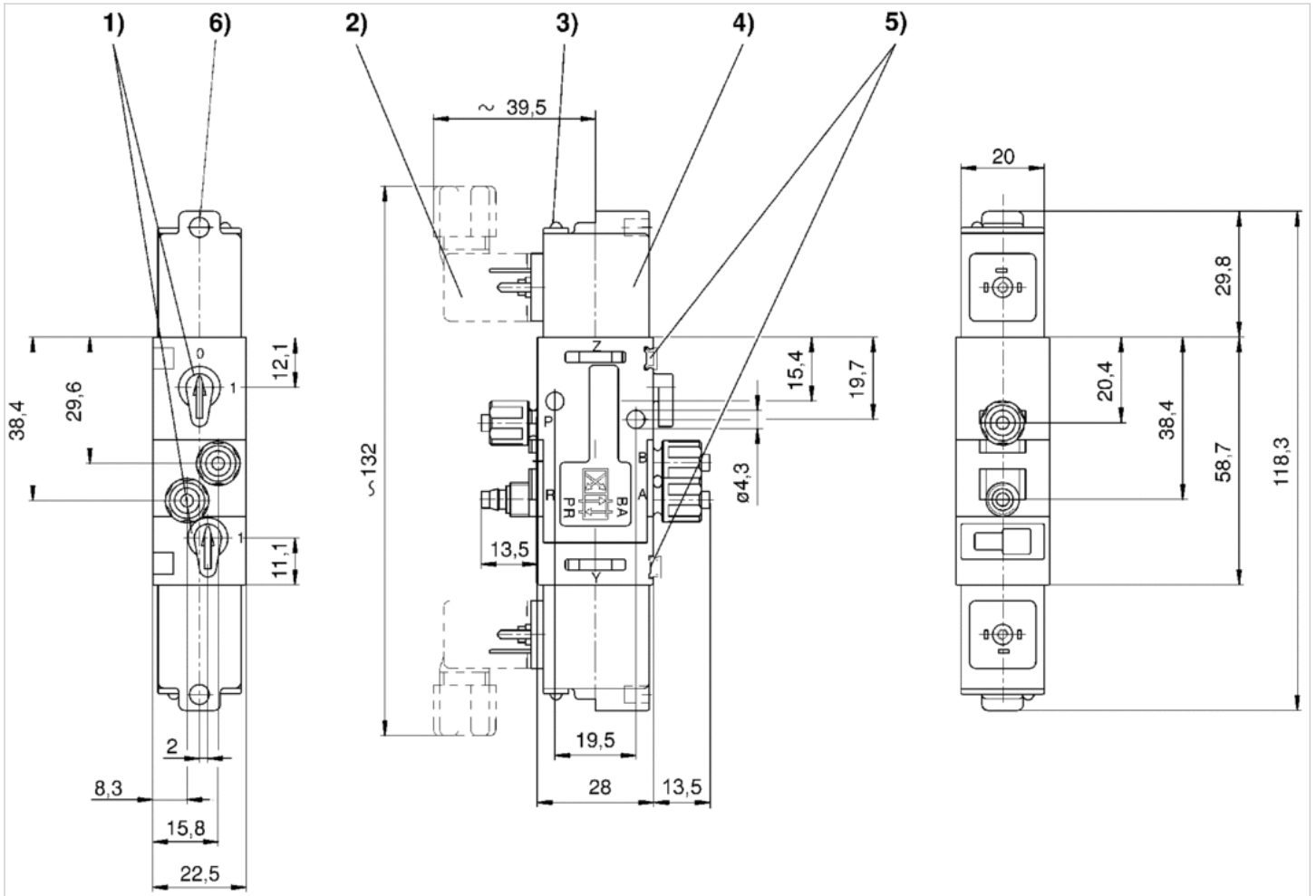
## Technical information

Material	
Housing	Polyoxymethylene
Seals	Acrylonitrile butadiene rubber



## Dimensions

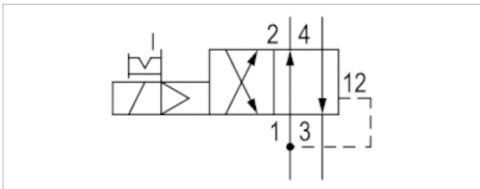
### Dimensions



1) Manual override 2) Valve plug connector 3) LED display 4) Coil can be rotated at 180° intervals 5) Mounting space for name plate 6) Hole for M5 fitting or silencer  $\varnothing 4.5$  mm







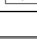
## 4/2-directional valve, Series 840

- 4/2
- $Q_n = 200$  l/min
- Pilot valve width : 22.5 mm
- Pipe connection
- Compressed air connection output :  $\varnothing 6$
- Electrical connection : Plug, EN 175301-803, form C
- Manual override : with detent
- single solenoid
- With air spring return
- Pilot : Internal



Version	Diaphragm poppet valve
Activation	Electrically
Pilot	Internal
Sealing principle	Soft sealing
Working pressure min./max.	1.8 ... 10 bar
Note	The maximum operating pressure depends on the ambient temperature. The following values are applicable: -15 °C ... 50 °C: Operating pressure 1.8 bar ... 8 bar possible. -15 °C ... 40 °C: Operating pressure 1.8 bar ... 10 bar possible.
Control pressure min./max.	See table below
Ambient temperature min./max.	-15 ... 50 °C
Medium temperature min./max.	-15 ... 50 °C
Medium	Compressed air
Max. particle size	50 $\mu\text{m}$
Oil content of compressed air	0 ... 1 mg/m <sup>3</sup>
Nominal flow $Q_n$	200 l/min
Connector standard	EN 175301-803, form C
Protection class with connection	IP65
Reverse polarity protection	Protected against polarity reversal
Duty cycle	100 %
Typ. switch-on time	12 ms
Typ. switch-off time	12 ms
Mounting on manifold strip	PRS strip
Weight	See table below

## Technical data

Part No.	MO	Compressed air connection	
		Input	Output
5728450410		Ø 6x1	Ø 6
5728450420		Ø 6x1	Ø 6
5728450620		Ø 6x1	Ø 6
5728455420		Ø 6x1	Ø 6
5728455470		Ø 6x1	Ø 6
5728455480		Ø 6x1	Ø 6
5728455680		Ø 6x1	Ø 6

Part No.	Compressed air connection	
	Exhaust	Pilot Exhaust
5728450410	Ø 6x1	Ø 4,5
5728450420	Ø 6x1	Ø 4,5
5728450620	Ø 6x1	Ø 4,5
5728455420	Ø 6x1	Ø 4,5
5728455470	Ø 6x1	Ø 4,5
5728455480	Ø 6x1	Ø 4,5
5728455680	Ø 6x1	Ø 4,5

Part No.	Operational voltage	Operational voltage	Operational voltage
	DC	AC 50 Hz	AC 60 Hz
5728450410	12 V	-	-
5728450420	24 V	-	-
5728450620	24 V	-	-
5728455420	-	24 V	24 V
5728455470	-	110 V	110 V
5728455480	-	230 V	230 V
5728455680	-	230 V	230 V

Part No.	Voltage tolerance	Voltage tolerance	Voltage tolerance	Power consumption
	DC	AC 50 Hz	AC 60 Hz	DC
5728450410	-10% / +10%	-	-	1.6 W
5728450420	-10% / +10%	-	-	1.6 W
5728450620	-10% / +10%	-	-	1.6 W
5728455420	-	-10% / +15%	-10% / +15%	-
5728455470	-	-10% / +15%	-10% / +15%	-
5728455480	-	-10% / +15%	-10% / +15%	-
5728455680	-	-10% / +15%	-10% / +15%	-

Part No.	Holding power	Holding power	Switch-on power	Switch-on power
	AC 50 Hz	AC 60 Hz	AC 50 Hz	AC 60 Hz
5728450410	-	-	-	-
5728450420	-	-	-	-
5728450620	-	-	-	-
5728455420	2.2 VA	1.9 VA	3 VA	2.6 VA
5728455470	2.2 VA	1.9 VA	3.1 VA	2.6 VA
5728455480	2.3 VA	2 VA	3.2 VA	2.8 VA

Part No.	Holding power	Holding power	Switch-on power	Switch-on power
	AC 50 Hz	AC 60 Hz	AC 50 Hz	AC 60 Hz
5728455680	2.5 VA	2.2 VA	3.5 VA	3 VA

Part No.	Control pressure min./max.	LED status display	Weight
5728450410	1.5 ... 10 bar	-	0.101 kg
5728450420	1.5 ... 10 bar	-	0.103 kg
5728450620	1.5 ... 10 bar	Red	0.103 kg
5728455420	1.5 ... 10 bar	-	0.1 kg
5728455470	1.5 ... 10 bar	-	0.101 kg
5728455480	1.5 ... 0 bar	-	0.102 kg
5728455680	1.5 ... 10 bar	Red	0.102 kg

Nominal flow  $Q_n$  at 6 bar and  $\Delta p = 1$  bar, MO = Manual override

## Technical information

The min. control pressure must be adhered to, since otherwise faulty switching and valve failure may result!

The pressure dew point must be at least 15 °C under ambient and medium temperature and may not exceed 3 °C .

The oil content of compressed air must remain constant during the life cycle.

Use only the approved oils from AVENTICS. Further information can be found in the "Technical information" document (available in the MediaCentre).

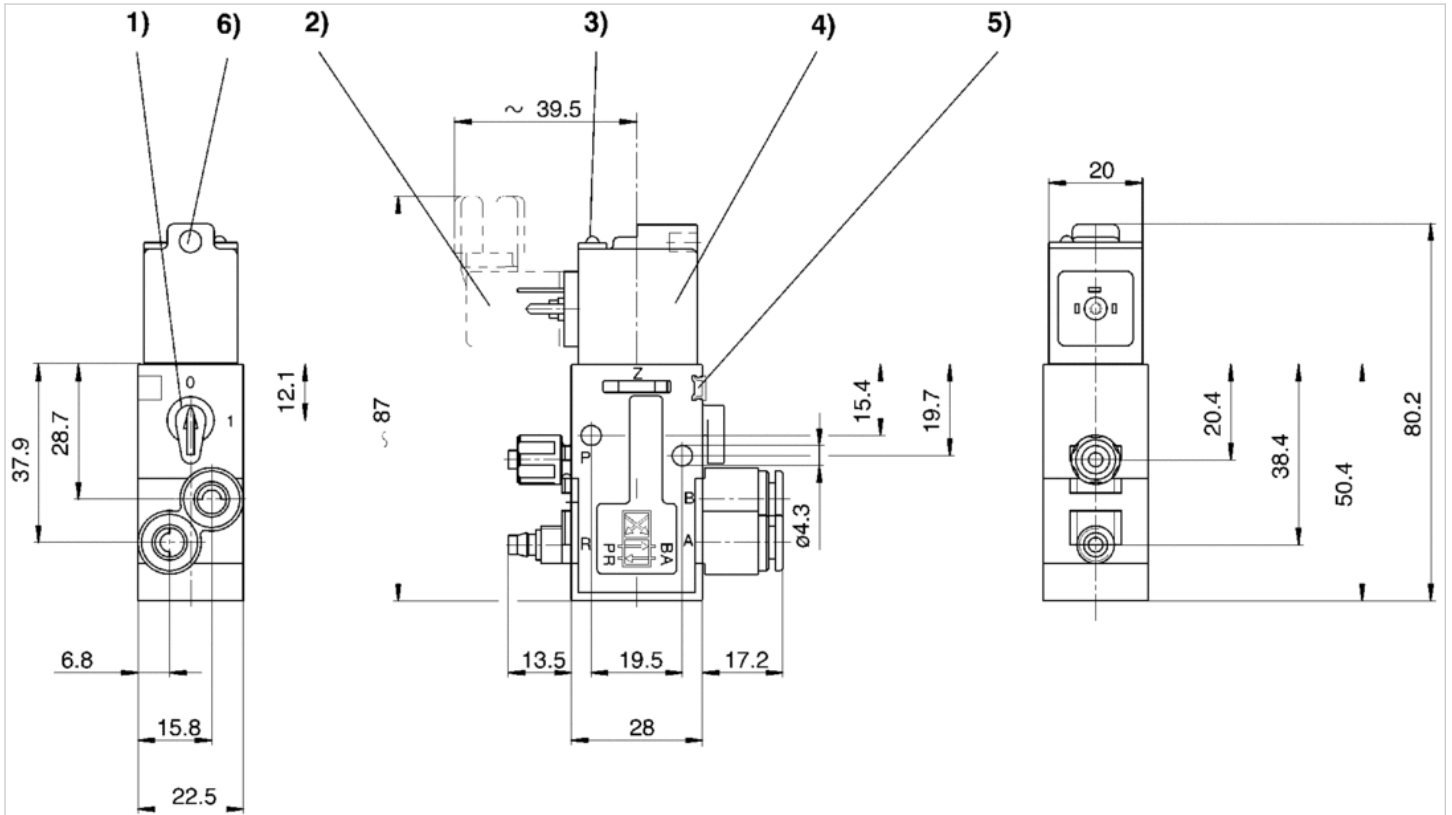
Versions with voltage of less than 50 V DC do not have a protective ground.

## Technical information

Material	
Housing	Polyoxymethylene
Seals	Acrylonitrile butadiene rubber

## Dimensions

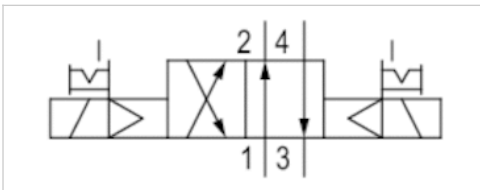
### Dimensions



1) Manual override 2) Valve plug connector 3) LED display 4) Coil can be rotated at 180° intervals 5) Mounting space for name plate 6) Hole for M5 fitting or silencer  $\phi$  4.5 mm







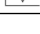
# 4/2-directional valve, Series 840

- 4/2
- Qn = 200 l/min
- Pilot valve width : 22.5 mm
- Pipe connection
- Compressed air connection output : Ø 6
- Electrical connection : Plug, EN 175301-803, form C
- Manual override : with detent
- double solenoid
- Pilot : Internal



Version	Diaphragm poppet valve
Activation	Electrically
Pilot	Internal
Sealing principle	Soft sealing
Working pressure min./max.	1.8 ... 10 bar
Note	The maximum operating pressure depends on the ambient temperature. The following values are applicable: -15 °C ... 50 °C: Operating pressure 1.8 bar ... 8 bar possible. -15 °C ... 40 °C: Operating pressure 1.8 bar ... 10 bar possible.
Control pressure min./max.	1.8 ... 10 bar
Ambient temperature min./max.	-15 ... 50 °C
Medium temperature min./max.	-15 ... 50 °C
Medium	Compressed air
Max. particle size	50 µm
Oil content of compressed air	0 ... 1 mg/m <sup>3</sup>
Nominal flow Qn	200 l/min
Connector standard	EN 175301-803, form C
Protection class with connection	IP65
Reverse polarity protection	Protected against polarity reversal
Duty cycle	100 %
Typ. switch-on time	12 ms
Typ. switch-off time	12 ms
Mounting on manifold strip	PRS strip
Weight	See table below

## Technical data

Part No.	MO	Compressed air connection	
		Input	Output
5728460410		Ø 6x1	Ø 6
5728460420		Ø 6x1	Ø 6
5728460620		Ø 6x1	Ø 6
5728465420		Ø 6x1	Ø 6
5728465470		Ø 6x1	Ø 6
5728465480		Ø 6x1	Ø 6
5728465680		Ø 6x1	Ø 6

Part No.	Compressed air connection	
	Exhaust	Pilot Exhaust
5728460410	Ø 6x1	Ø 4,5
5728460420	Ø 6x1	Ø 4,5
5728460620	Ø 6x1	Ø 4,5
5728465420	Ø 6x1	Ø 4,5
5728465470	Ø 6x1	Ø 4,5
5728465480	Ø 6x1	Ø 4,5
5728465680	Ø 6x1	Ø 4,5

Part No.	Operational voltage		Operational voltage
	DC	AC 50 Hz	AC 60 Hz
5728460410	12 V	-	-
5728460420	24 V	-	-
5728460620	24 V	-	-
5728465420	-	24 V	24 V
5728465470	-	110 V	110 V
5728465480	-	230 V	230 V
5728465680	-	230 V	230 V

Part No.	Voltage tolerance			Power consumption
	DC	AC 50 Hz	AC 60 Hz	DC
5728460410	-10% / +10%	-	-	1.6 W
5728460420	-10% / +10%	-	-	1.6 W
5728460620	-10% / +10%	-	-	1.6 W
5728465420	-	-10% / +15%	-10% / +15%	-
5728465470	-	-10% / +15%	-10% / +15%	-
5728465480	-	-10% / +15%	-10% / +15%	-
5728465680	-	-10% / +15%	-10% / +15%	-

Part No.	Holding power		Switch-on power	
	AC 50 Hz	AC 60 Hz	AC 50 Hz	AC 60 Hz
5728460410	-	-	-	-
5728460420	-	-	-	-
5728460620	-	-	-	-
5728465420	2.2 VA	1.9 VA	3 VA	2.6 VA
5728465470	2.2 VA	1.9 VA	3.1 VA	2.6 VA
5728465480	2.3 VA	2 VA	3.2 VA	2.8 VA

Part No.	Holding power	Holding power	Switch-on power	Switch-on power
	AC 50 Hz	AC 60 Hz	AC 50 Hz	AC 60 Hz
5728465680	2.5 VA	2.2 VA	3.5 VA	3 VA

Part No.	LED status display	Weight
5728460410	-	0.205 kg
5728460420	-	0.163 kg
5728460620	Red	0.165 kg
5728465420	-	0.165 kg
5728465470	-	0.21 kg
5728465480	-	0.155 kg
5728465680	Red	0.16 kg

Nominal flow  $Q_n$  at 6 bar and  $\Delta p = 1$  bar, MO = Manual override

## Technical information

The min. control pressure must be adhered to, since otherwise faulty switching and valve failure may result!

The pressure dew point must be at least 15 °C under ambient and medium temperature and may not exceed 3 °C .

The oil content of compressed air must remain constant during the life cycle.

Use only the approved oils from AVENTICS. Further information can be found in the "Technical information" document (available in the MediaCentre).

Versions with voltage of less than 50 V DC do not have a protective ground.

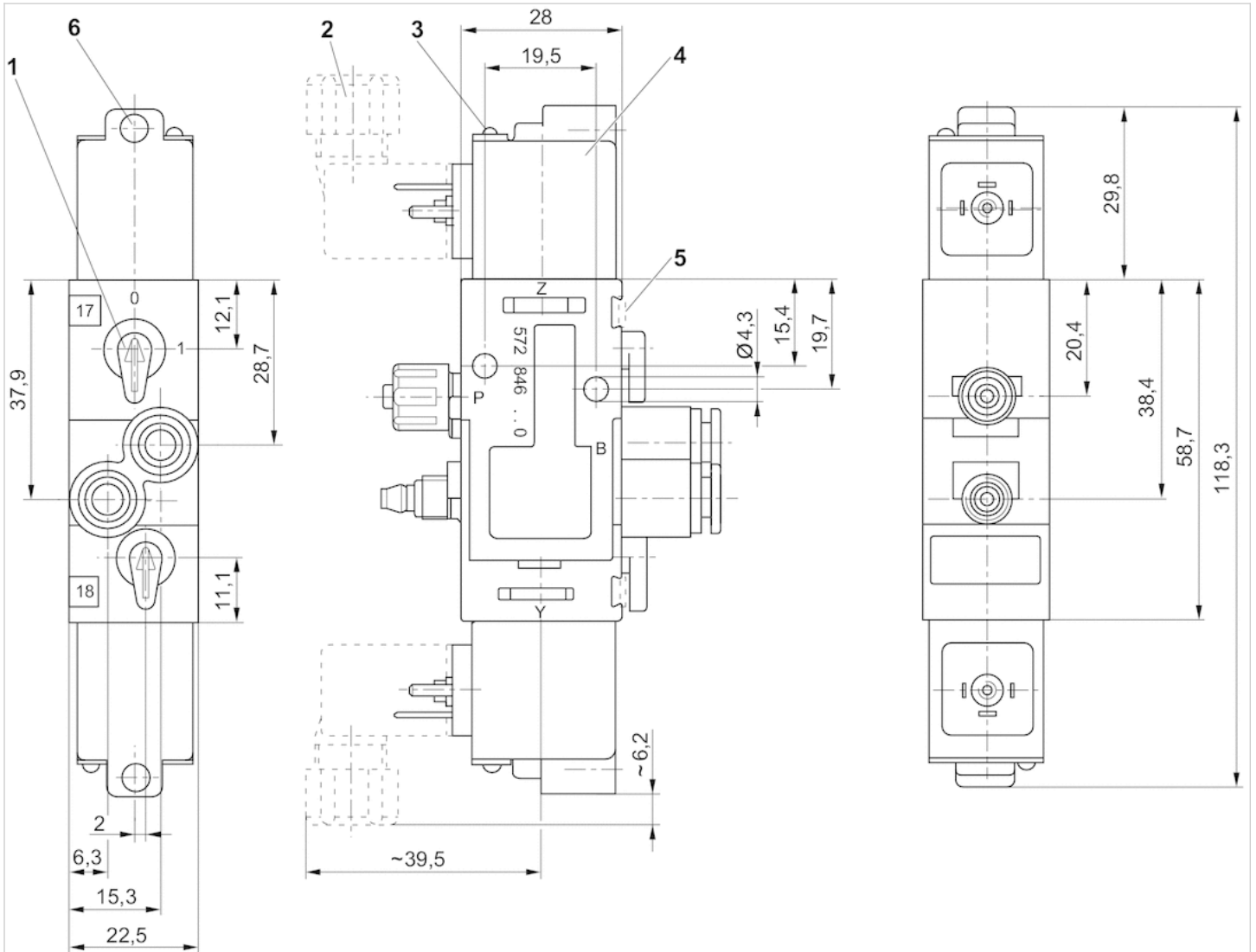
## Technical information

Material	
Housing	Polyoxymethylene
Seals	Acrylonitrile butadiene rubber



# Dimensions

## Dimensions



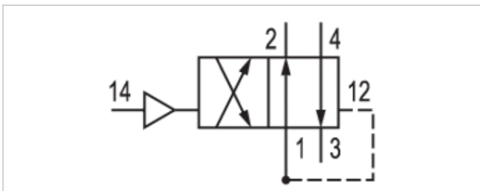
1) Manual override 2) Valve plug connector 3) LED display 4) Coil can be rotated at 180° intervals 5) Mounting space for name plate 6) Hole for M5 fitting or silencer  $\varnothing$  4.5 mm

# 4/2-directional valve, Series 840

- Qn = 200 l/min
- Compressed air connection output Ø 6x1
- Single air pilot
- Single air pilot
- Pipe connection



Version	Poppet valve
Activation	pneumatically
Sealing principle	Soft sealing
Flow rate value Qn	200 l/min
Working pressure min./max.	2 ... 10 bar
Control pressure min./max.	2 ... 10 bar
Ambient temperature min./max.	-15 ... 60 °C
Medium temperature min./max.	-15 ... 60 °C
Medium	Compressed air
Max. particle size	50 µm
Oil content of compressed air	0 ... 1 mg/m <sup>3</sup>
Mounting on manifold strip	PRS strip
Weight	0.048 kg



## Technical data

Part No.	Compressed air connection	
	Input	Output
5718400000	Ø 6x1	Ø 6x1

Part No.	Compressed air connection	
	Exhaust	Pilot control exhaust
5718400000	Ø 6x1	Ø 6x1

Nominal flow Qn at 6 bar and  $\Delta p = 1$  bar

## Technical information

The min. control pressure must be adhered to, since otherwise faulty switching and valve failure may result!  
 The pressure dew point must be at least 15 °C under ambient and medium temperature and may not exceed 3 °C .  
 The oil content of compressed air must remain constant during the life cycle.  
 Use only the approved oils from AVENTICS. Further information can be found in the "Technical information" document (available in the MediaCentre).

The maximum operating pressure depends on the ambient temperature. The following values are applicable:  
 -15 °C ... 60°C: Operating pressure 1.5 bar ... 8 bar possible.  
 -15 °C ... 40 °C: Operating pressure 1.5 bar ... 10 bar possible.

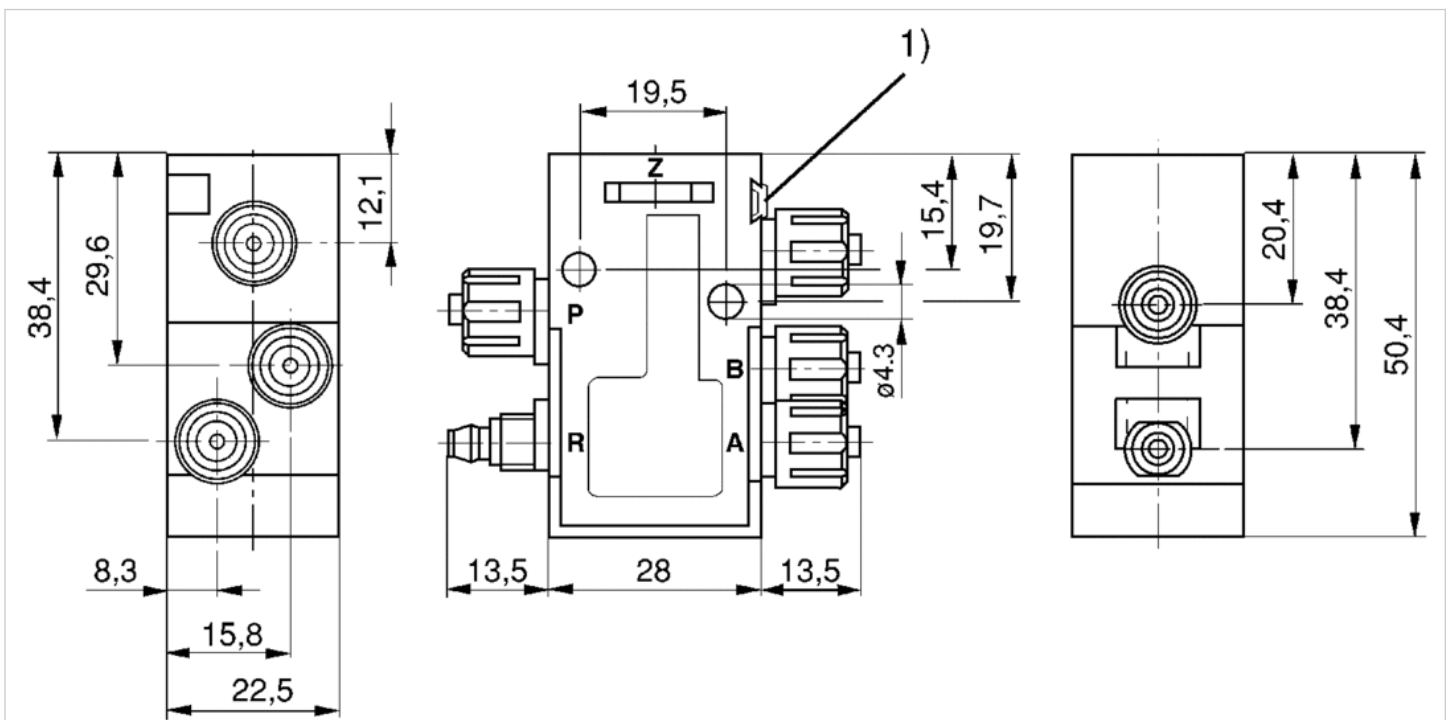
## Technical information

### Material

Housing	Polyoxymethylene
Seals	Acrylonitrile butadiene rubber
Threaded bushing	Polyoxymethylene

## Dimensions

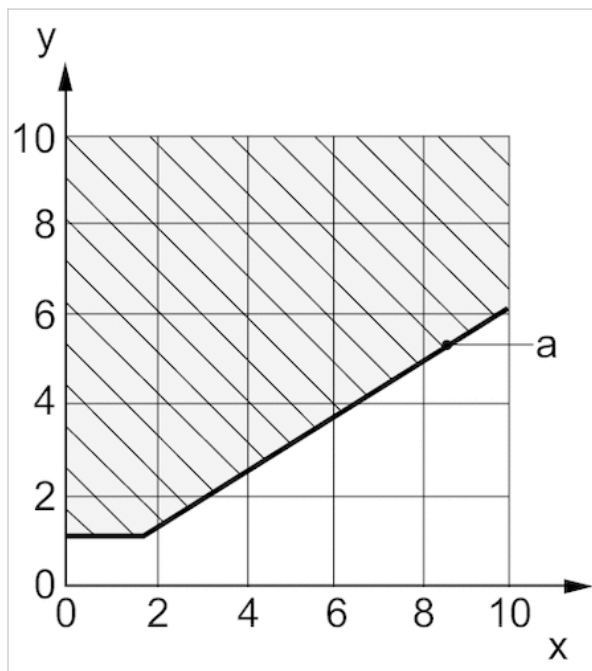
### Dimensions



1) mounting space for name plate

## Diagrams

## Control pressure



Pilot pressure range diagram

x: working pressure (bar)

y: pilot pressure (bar)

a: min. pilot pressure at port 14 (Z) depending on working pressure

# Valve plug connector, series CON-VP

- Socket form C 2+E angled 90°
- open cable ends 3-pin
- with cable
- unshielded



Ambient temperature min./max.	-20 ... 80 °C
Operational voltage	See table below
Protection class	IP67
Wire cross-section	0.75 mm <sup>2</sup>
Mounting screw tightening torque	0.4 Nm
Weight	See table below

## Technical data

Part No.		Operational voltage	Max. current	Protective circuit	Contact assignment
1834484212		230 V AC/DC	6 A	-	2+E
1834484213		230 V AC/DC	6 A	-	2+E
1834484214		230 V AC/DC	6 A	-	2+E
1834484215		230 V AC/DC	6 A	-	2+E
1834484204		24 V AC/DC	6 A	Z-diode	2+E
1834484205		24 V AC/DC	6 A	Z-diode	2+E
1834484206		24 V AC/DC	6 A	Z-diode	2+E
1834484207		24 V AC/DC	6 A	Z-diode	2+E
1834484208		230 V AC/DC	6 A	Varistor	2+E
1834484209		230 V AC/DC	6 A	Varistor	2+E
1834484210		230 V AC/DC	6 A	Varistor	2+E
1834484211		230 V AC/DC	6 A	Varistor	2+E
1834484236		24 V AC/DC	6 A	Z-diode	2+E

Part No.	LED status display	Number of wires	Cable-Ø	Cable length	Weight	Fig.	
1834484212	-	3	5.9 mm	3 m	0.183 kg	Fig. 1	-
1834484213	-	3	5.9 mm	3 m	0.183 kg	Fig. 2	-
1834484214	-	3	5.9 mm	5 m	0.308 kg	Fig. 1	-
1834484215	-	3	5.9 mm	5 m	0.308 kg	Fig. 2	-
1834484204	Yellow	3	5.9 mm	3 m	0.185 kg	Fig. 1	1)
1834484205	Yellow	3	5.9 mm	3 m	0.185 kg	Fig. 2	1)
1834484206	Yellow	3	5.9 mm	5 m	0.292 kg	Fig. 1	1)
1834484207	Yellow	3	5.9 mm	5 m	0.298 kg	Fig. 2	1)
1834484208	Yellow	3	5.9 mm	3 m	0.171 kg	Fig. 1	1)
1834484209	Yellow	3	5.9 mm	3 m	0.194 kg	Fig. 2	1)
1834484210	Yellow	3	5.9 mm	5 m	0.297 kg	Fig. 1	1)

Part No.	LED status display	Number of wires	Cable-Ø	Cable length	Weight	Fig.	
1834484211	Yellow	3	5.9 mm	5 m	0.285 kg	Fig. 2	1)
1834484236	Yellow	3	5.9 mm	10 m	0.571 kg	Fig. 2	1)

1) Scope of delivery incl. flat gasket

## Technical information

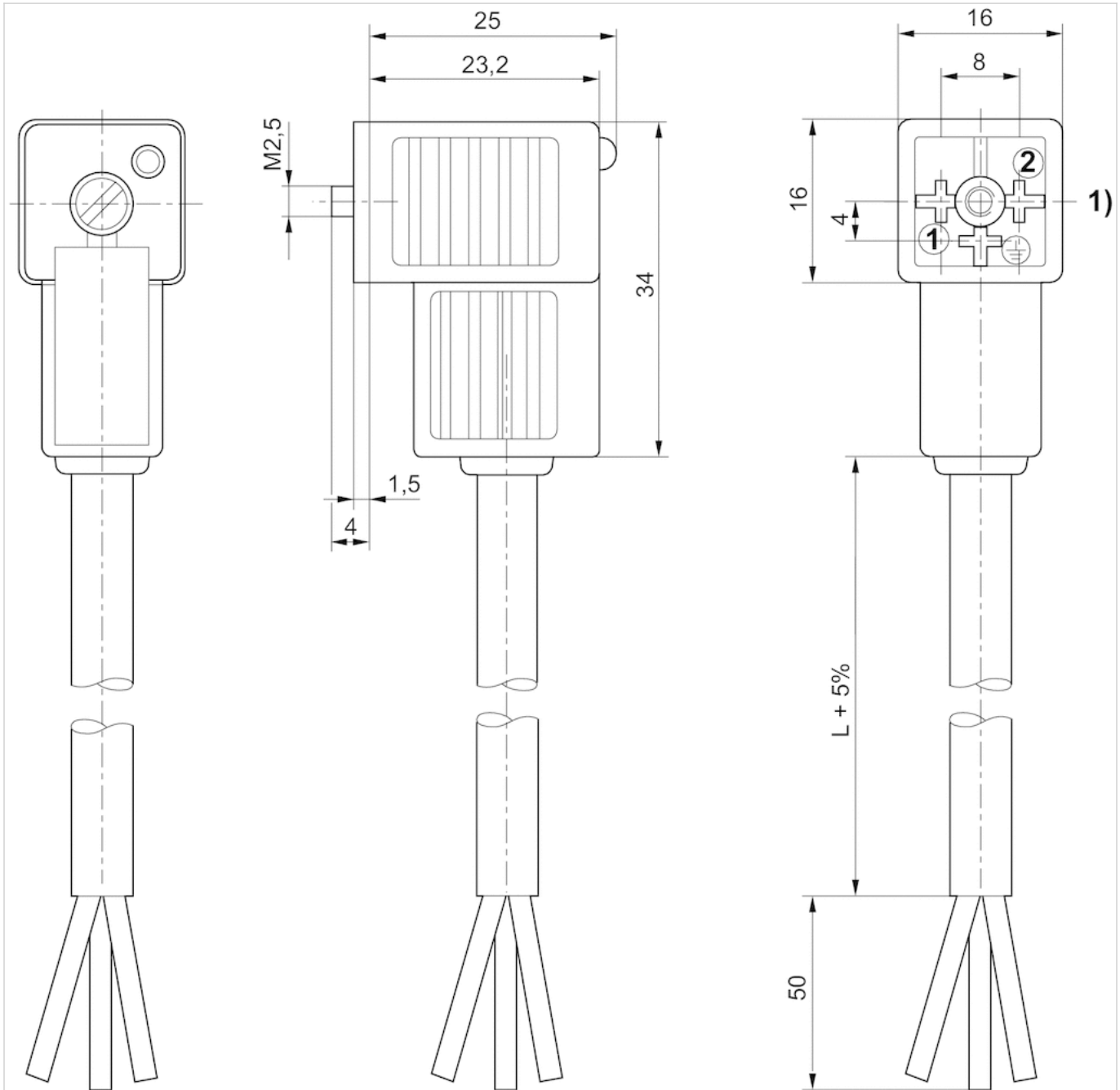
The specified protection class is only valid in assembled and tested state.

## Technical information

Material	
Seals	caoutchouc/butadiene caoutchouc
Cable sheath	Polyvinyl chloride

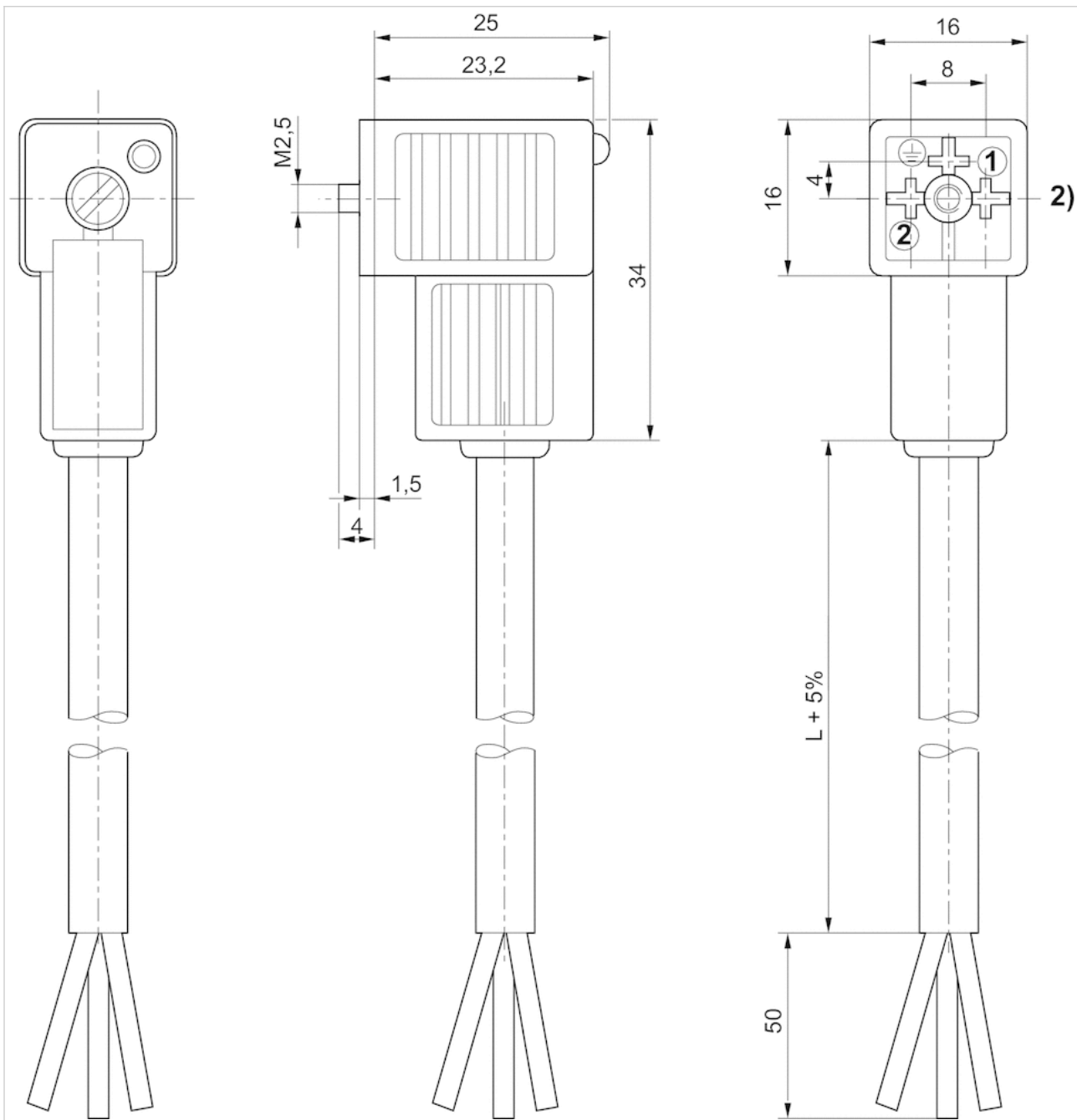
# Dimensions

Fig. 1



1) 0° female insert

Fig. 2



2) 180° female insert



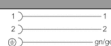

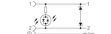
# Valve plug connector, series CON-VP

- Socket, form C, 2+E, angled, 90°
- ISO 15217
- unshielded
- with LED Green



Connection type	Screws
Ambient temperature min./max.	-40 ... 90 °C
Operational voltage	See table below
Protection class	IP65
Mounting screw tightening torque	0.4 Nm
Weight	See table below

## Technical data

Part No.		Operational voltage	Max. current	Protective circuit	Contact assignment
1834484187		250 / 300 V AC/DC	6 A	-	2+E
8941012202		250 / 300 V AC/DC	6 A	-	2+E
4402050330		24 V AC/DC	-	Z-diode	2+E

Part No.	LED status display	suitable cable-Ø min./max	Seal	Weight
1834484187	-	4 / 8 mm	caoutchouc/butadiene caoutchouc	0.012 kg
8941012202	-	4 / 8 mm	-	0.012 kg
4402050330	Green	-	-	0.014 kg

Part No.	Fig.	
1834484187	Fig. 1	-
8941012202	Fig. 2	-
4402050330	Fig. 3	1)

1)

## Technical information

The specified protection class is only valid in assembled and tested state.

## Technical information

Material

Seals

caoutchouc/butadiene caoutchouc

## Dimensions

Fig. 1

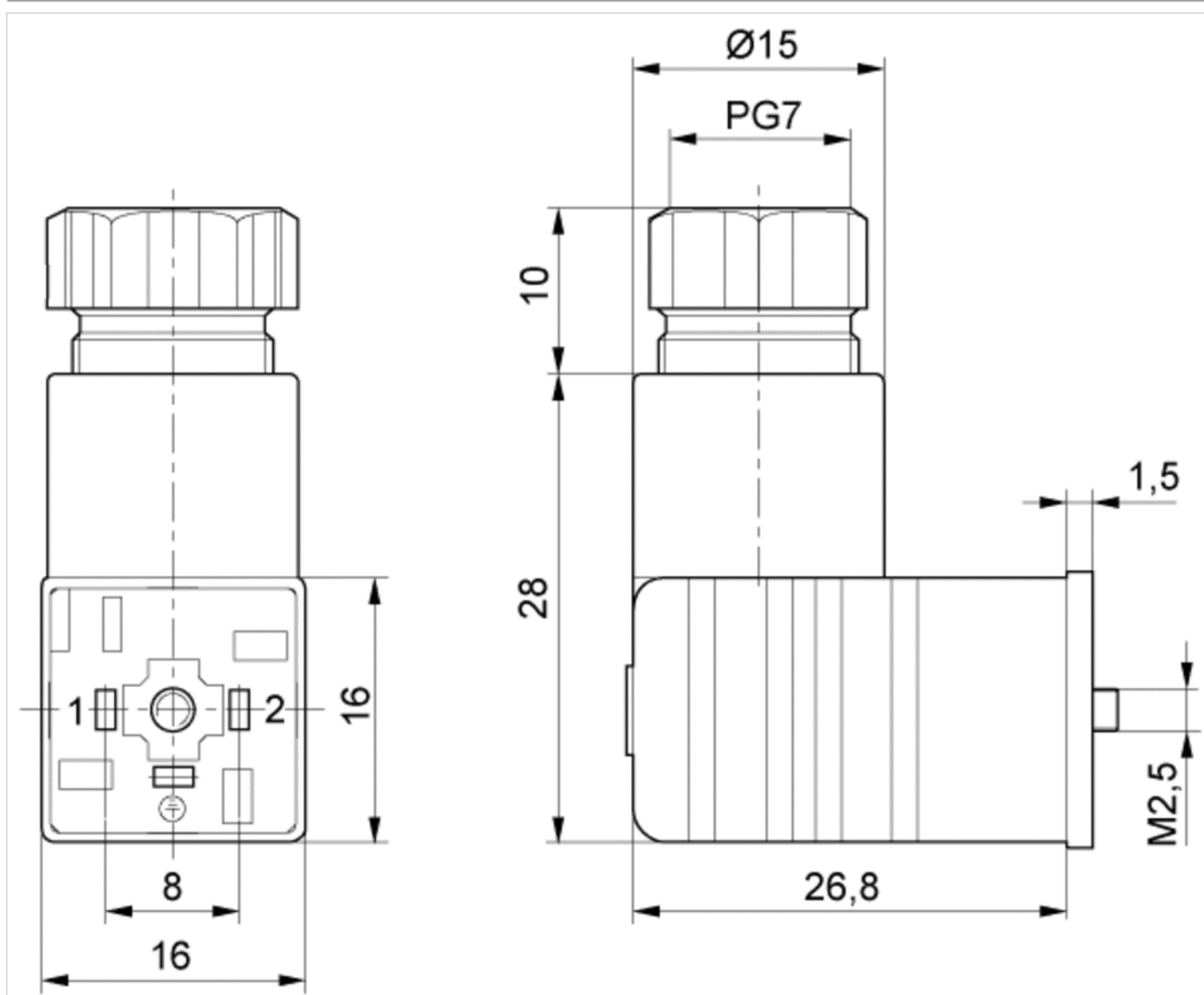


Fig. 2

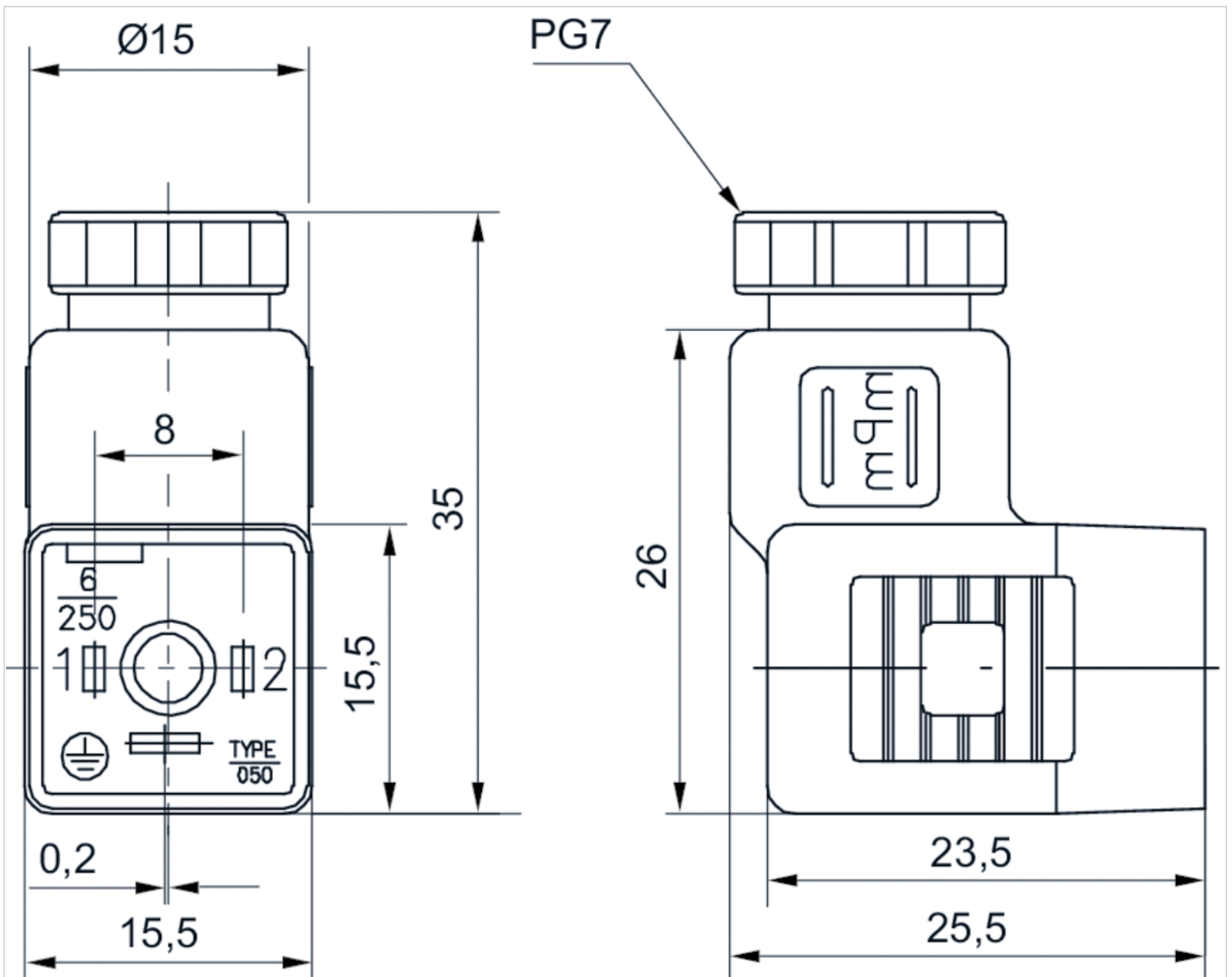
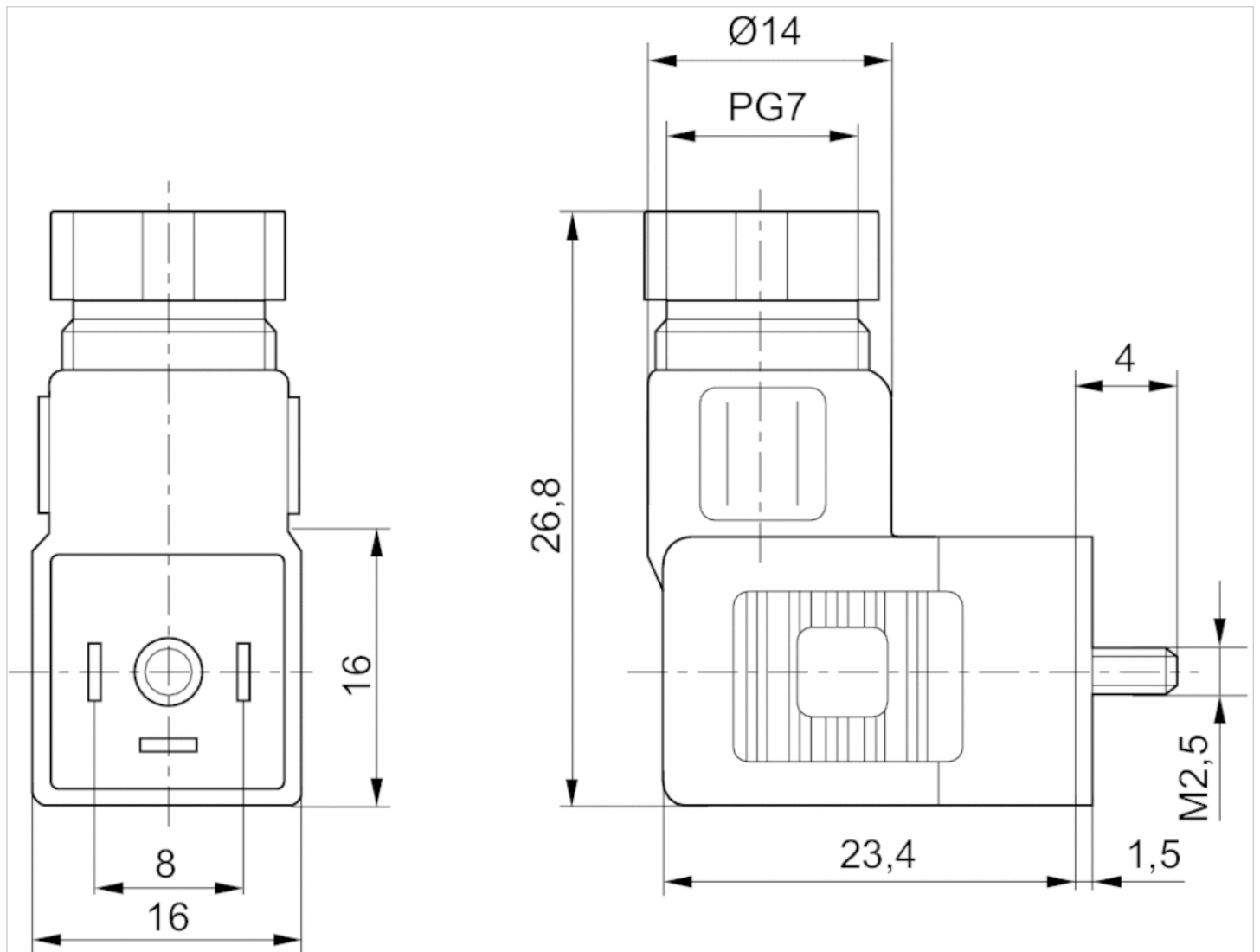


Fig. 3



# Sealing ring

- for series 840
- Polyoxymethylene



Working pressure min./max. -0.95 ... 10 bar  
Ambient temperature min./max. -10 ... 60 °C

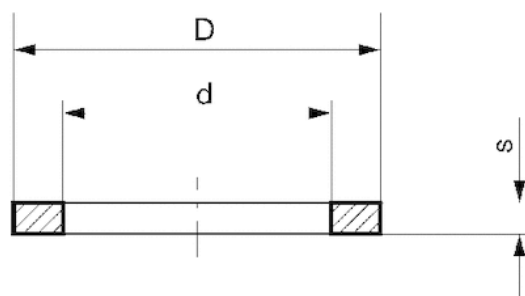
## Technical data

Part No.	Port G	for series	Delivery unit
8114012384	M5	840	10 piece

## Technical information

Material	
Material	Polyoxymethylene

## Dimensions



## Dimensions

Part No.	G	d	D	s
8114012384	M5	5.2	7.4	1

G = thread size

# Silencers, series SI1

- Sintered bronze



Working pressure min./max.

0 ... 10 bar

Ambient temperature min./max.

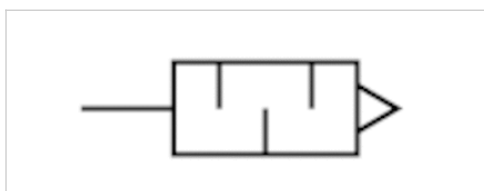
-25 ... 80 °C

Medium

Compressed air

Weight

0.008 kg



## Technical data

Part No.

8993800114

## Technical information

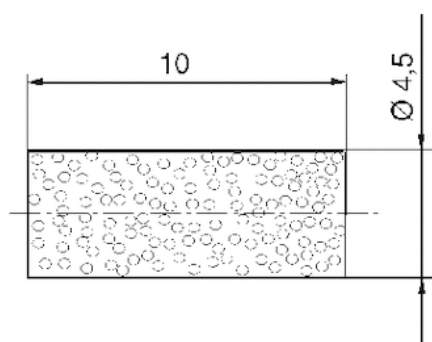
Material

Silencer

Sintered bronze

## Dimensions

### Dimensions



## Name plates



### Technical data

Part No.	Type	Delivery unit
8943056312	1-10	5 piece
8943056322	11-20	5 piece



## Subbases and accessories, Series 840



### Technical data

Part No.	Type	Position
8985003702	Supply plate complete with seals	1
8985003712	sandwich plate complete with seals	4
8985003722	End plate, complete with O-rings	3
5728406004	Dummy flange for reserve places complete with seals	13
5728400092	Connecting kit for second inlet base	9
5324002020	silencer for port R of supply plate	10
5728400424	Cover plate for plug module	11
8942003902	PG-fitting for plug module	12
8938013600	Tubing connector for separate or additional P-supply for plastic tubing Ø 5x1	15
8938306500	Elbow fitting, 1x, plastic tubing Ø 6x1 for supply plate	7
8938306510	Elbow fitting, 1x, plastic tubing Ø 8x1 for supply plate	7
8938009390	Tubing connector for separate or additional P-supply for plastic tubing Ø 6x1	14
5324002000	silencer for valve connection R	17
8930714804	Tube nut for valve conn. R	16
8930715002	Screw plug for valve connection A or B	19
8938403900	Elbow fitting 1x, for tubing Ø6x1, incl. O-ring	18
8941013312	El. conn. module for max. 250 V, with cable conduit	20
5728417904	Actuating element	21
8938403950	Elbow fitting, 2x, for tube Ø6x1, incl. O-ring and tube nut	22

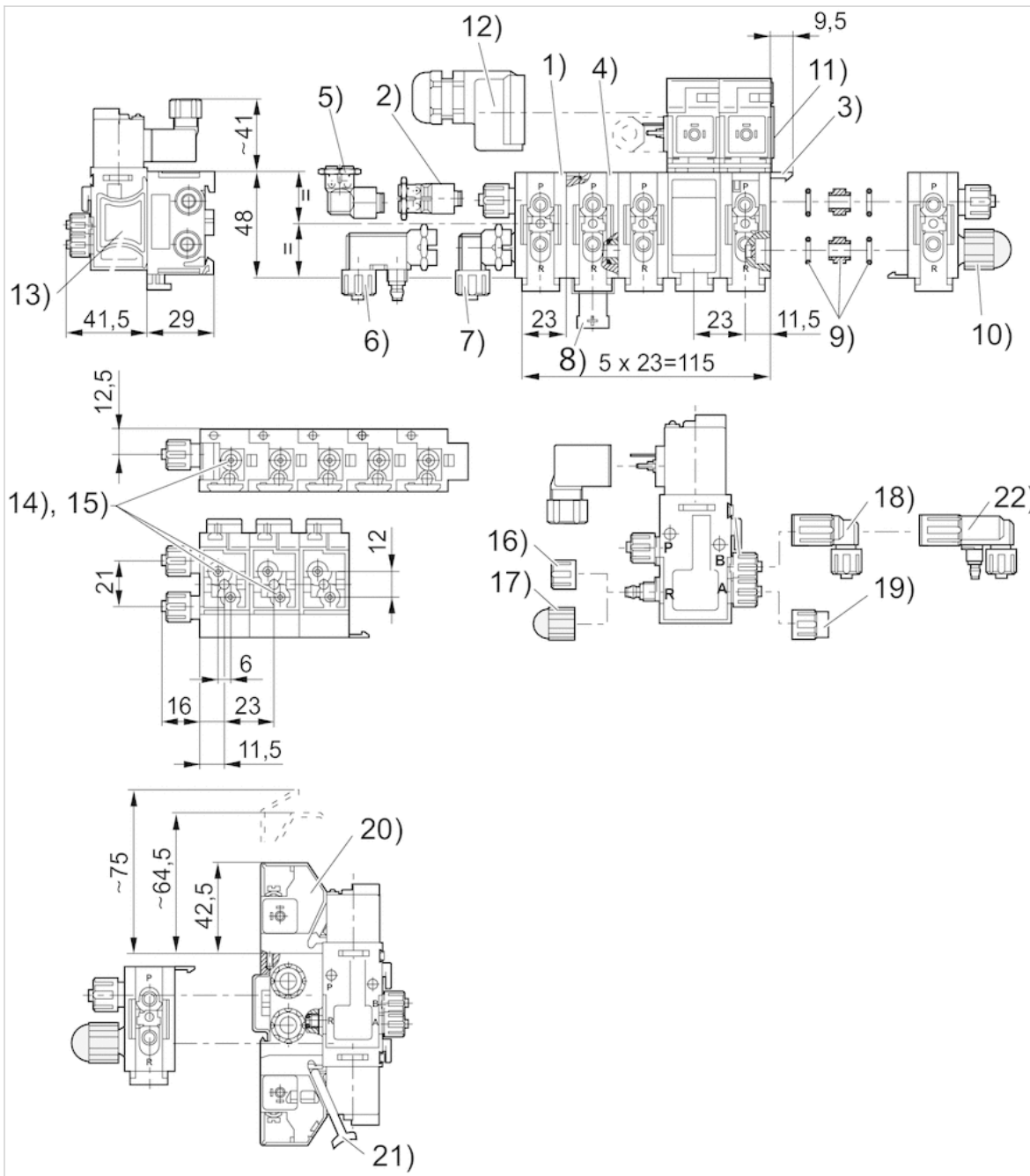
Part No.	Material	Sealing material
8985003702	Polyoxymethylene	Acrylonitrile butadiene rubber
8985003712	Polyoxymethylene	Acrylonitrile butadiene rubber
8985003722	Polyoxymethylene	Acrylonitrile butadiene rubber
5728406004	Polyamide	-
5728400092	Brass	Acrylonitrile butadiene rubber
5324002020	Sintered bronze	-
5728400424	Polyamide	-
8942003902	Polyamide	-
8938013600	Brass	-

Part No.	Material	Sealing material
8938306500	Polyoxymethylene	Acrylonitrile butadiene rubber
8938306510	Polyoxymethylene	Acrylonitrile butadiene rubber
8938009390	Brass	-
5324002000	Sintered bronze	-
8930714804	Polyamide	-
8930715002	Polyamide	-
8938403900	Polyoxymethylene	-
8941013312	Polyamide	-
5728417904	Polyethylene	-
8938403950	Polyoxymethylene	-

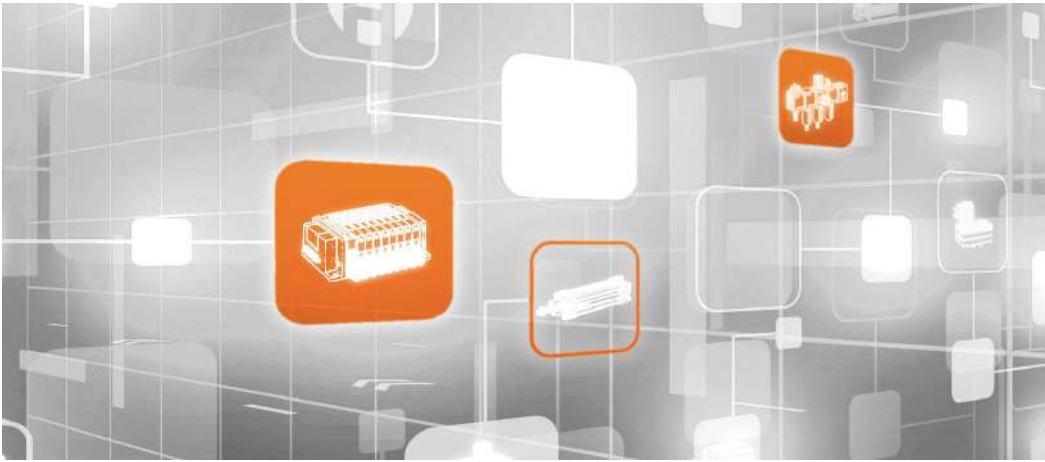
## Technical information

Material	
Housing	Polyoxymethylene Polyamide Brass Sintered bronze Polyethylene

# Dimensions



# Efficient pneumatic solutions, our program: cylinders and drives, valves and valve systems, air supply management



Visit us: [Emerson.com/Aventics](http://Emerson.com/Aventics)

Your local contact: [Emerson.com/contactus](http://Emerson.com/contactus)



Emerson.com



[Facebook.com/EmersonAutomationSolutions](https://Facebook.com/EmersonAutomationSolutions)



[LinkedIn.com/company/Emerson-Automation-Solutions](https://LinkedIn.com/company/Emerson-Automation-Solutions)



[Twitter.com/EMR\\_Automation](https://Twitter.com/EMR_Automation)

An example configuration is depicted on the title page. The delivered product may thus vary from that in the illustration. Subject to change. This Document, as well as the data, specifications and other information set forth in it, are the exclusive property of AVENTICS GmbH. It may not be reproduced or given to third parties without its consent. Only use the AVENTICS products shown in industrial applications. Read the product documentation completely and carefully before using the product. Observe the applicable regulations and laws of the respective country. When integrating the product into applications, note the system manufacturer's specifications for safe use of the product. The data specified only serve to describe the product. No statements concerning a certain condition or suitability for a certain application can be derived from our information. The information given does not release the user from the obligation of own judgment and verification. It must be remembered that the products are subject to a natural process of wear and aging.

The Emerson logo is a trademark and service mark of Emerson Electric Co. Brand logotype are registered trademarks of one of the Emerson family of companies. All other marks are the property of their respective owners. © 2017 Emerson Electric Co. All rights reserved.  
2019-03



**CONSIDER IT SOLVED™**