

Series NLC

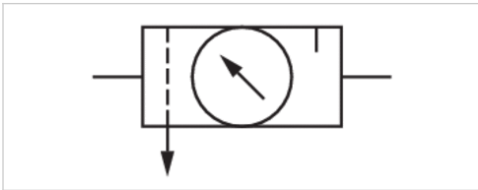


AVENTICS™ Series NLC



Universal air preparation unit, Series NLC

- G 1/4 G 3/8 G 1/2 G 3/4
- filter porosity 40 µm
- with pressure gauge



Version	1-part
Parts	Pressure regulator, Filter, Lubricator
Mounting orientation	vertical
Working pressure min./max.	0.5 ... 16 bar
Ambient temperature min./max.	-10 ... 60 °C
Medium temperature min./max.	-10 ... 60 °C
Medium	Compressed air Neutral gases
Regulator type	Diaphragm-type pressure regulator
Regulator function	with relieving air exhaust
Adjustment range min./max.	0.5 ... 10 bar
Pressure supply	single
Filter element	exchangeable
Type of filling	Manual oil filling
Weight	See table below

Technical data

Part No.	Frame size	Port	filter porosity	Flow	Filter reservoir volume	Lubricator reservoir volume
				Qn		
0821300030	2	G 1/4	40 µm	1400 l/min	25 cm ³	75 cm ³
0821300050	2	G 1/4	40 µm	1400 l/min	25 cm ³	75 cm ³
R412010828	2	G 1/4	40 µm	1400 l/min	25 cm ³	75 cm ³
0821300032	2	G 3/8	40 µm	1400 l/min	25 cm ³	75 cm ³
0821300052	2	G 3/8	40 µm	1400 l/min	25 cm ³	75 cm ³
R412010829	2	G 3/8	40 µm	1400 l/min	25 cm ³	75 cm ³
0821300040	4	G 1/2	40 µm	3200 l/min	75 cm ³	150 cm ³
0821300060	4	G 1/2	40 µm	3200 l/min	75 cm ³	150 cm ³
R412010830	4	G 1/2	40 µm	3200 l/min	75 cm ³	150 cm ³
0821300042	4	G 3/4	40 µm	3200 l/min	75 cm ³	150 cm ³
0821300062	4	G 3/4	40 µm	3200 l/min	75 cm ³	150 cm ³
R412010831	4	G 3/4	40 µm	3200 l/min	75 cm ³	150 cm ³

Part No.	Condensate drain	Pressure gauge	Protective guard
0821300030	Manual	with pressure gauge	-
0821300050	Manual	with pressure gauge	Steel
R412010828	semi-automatic, open without pressure	with pressure gauge	Steel
0821300032	Manual	with pressure gauge	-
0821300052	Manual	with pressure gauge	Steel
R412010829	semi-automatic, open without pressure	with pressure gauge	Steel

Part No.	Condensate drain	Pressure gauge	Protective guard
0821300040	Manual	with pressure gauge	-
0821300060	Manual	with pressure gauge	Steel
R412010830	semi-automatic, open without pressure	with pressure gauge	Steel
0821300042	Manual	with pressure gauge	-
0821300062	Manual	with pressure gauge	Steel
R412010831	semi-automatic, open without pressure	with pressure gauge	Steel

Part No.	Weight
0821300030	1.32 kg
0821300050	1.44 kg
R412010828	1.43 kg
0821300032	1.3 kg
0821300052	1.38 kg
R412010829	1.41 kg
0821300040	3.28 kg
0821300060	3.57 kg
R412010830	3.48 kg
0821300042	3.21 kg
0821300062	3.44 kg
R412010831	3.31 kg

Nominal flow Q_n with secondary pressure $p_2 = 6$ bar at $\Delta p = 1$ bar

Technical information

The pressure dew point must be at least 15 °C under ambient and medium temperature and may not exceed 3 °C .
Manual oil filling possible during operation.

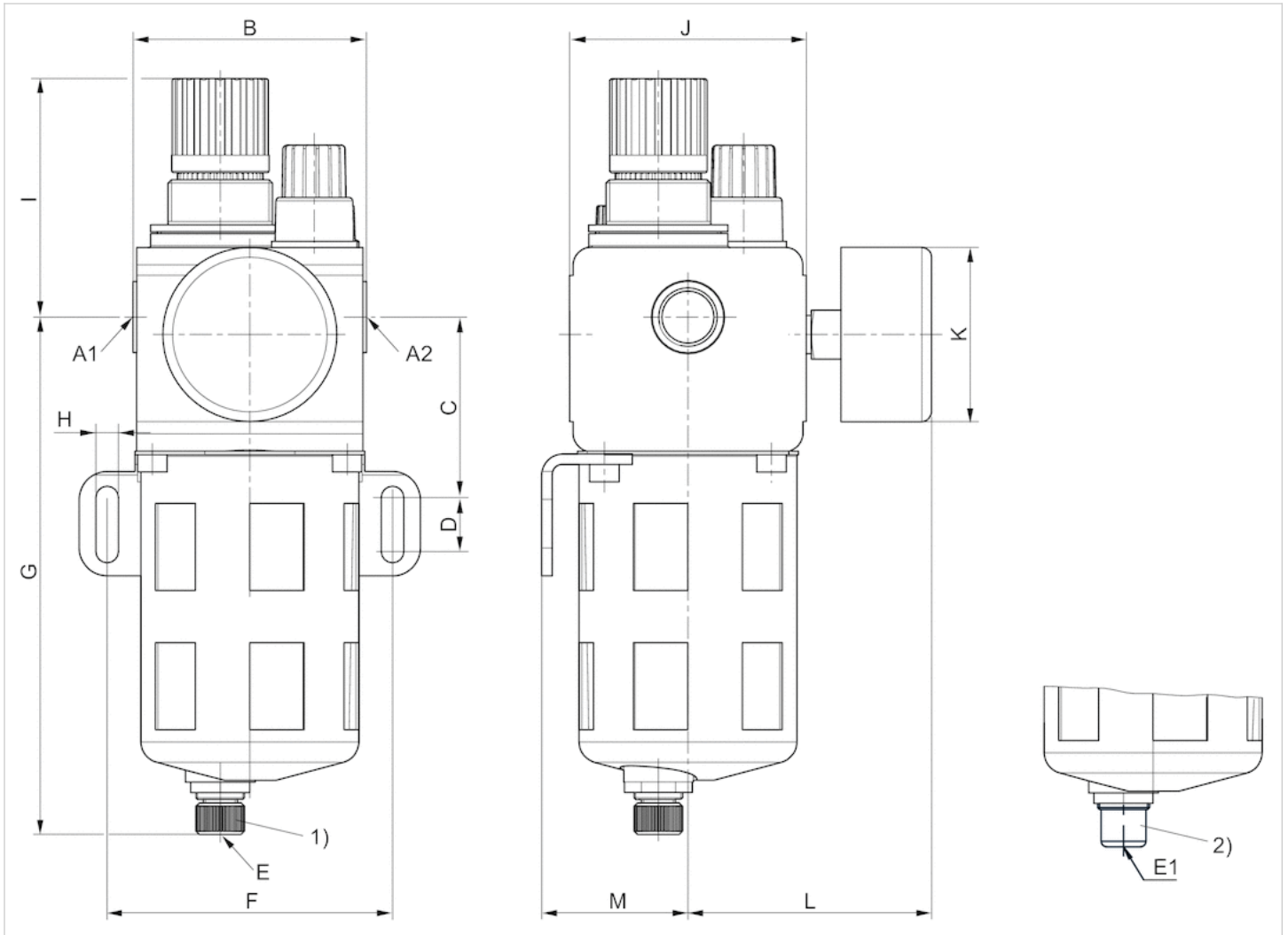
Oil dosing at 1000 l/min 1-2 drops

Technical information

Material	
Housing	Die cast zinc
Seals	Acrylonitrile butadiene rubber
Reservoir	Polycarbonate
Protective guard	Steel
Filter insert	Sintered bronze

Dimensions

Dimensions, Frame size 2



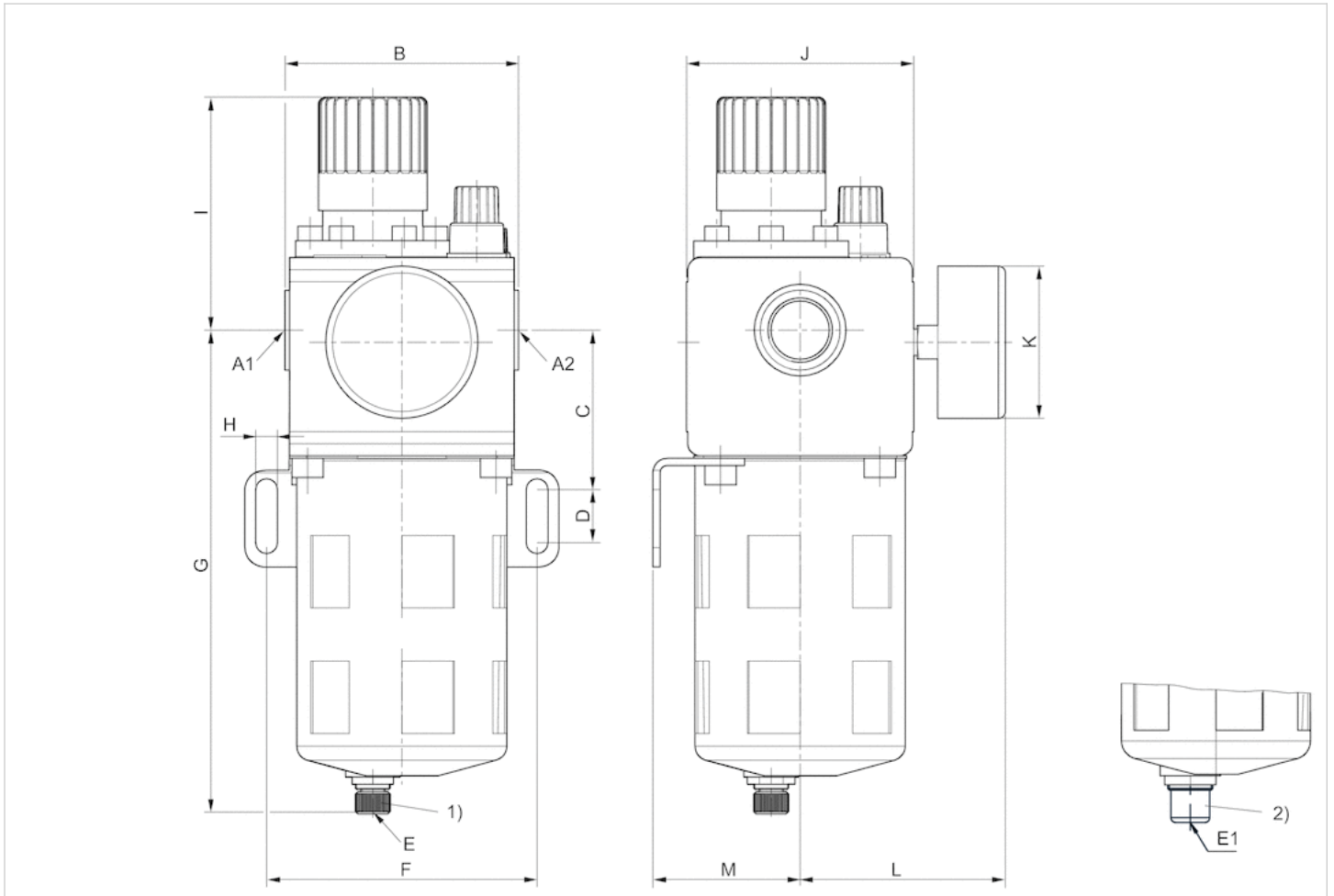
- A1 = input
- A2 = output
- 1) Fully automatic condensate drain
- 2) Semi-automatic condensate drain

Dimensions in mm

A1	A2	B	C	D	E	E1	F	G	H	I	J	K	L	M
G 1/4	G 1/4	66	52	15.5	SW5	G 1/8	82	148	6.5	69	65	50	70	42
G 3/8	G 1/4	66	52	15.5	SW5	G 1/8	82	148	6.5	69	65	50	70	42

Dimensions

Dimensions, Frame size 4



A1 = input

A2 = output

1) Fully automatic condensate drain

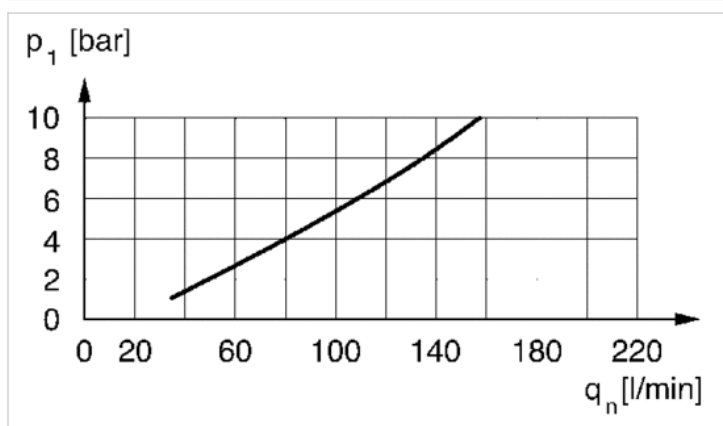
2) Semi-automatic condensate drain

Dimensions in mm

A1	A2	B	C	D	E	E1	F	G	H	I	J	K	L	M
G 1/4	G 3/4	93	66	22	G 1/8	G 1/8	112	200	9	97	92	63	85	61
G 1/2	G 3/4	93	66	22	G 1/8	G 1/8	112	200	9	97	92	63	85	61
G 3/4	G 3/4	93	66	22	G 1/8	G 1/8	112	200	9	97	92	63	85	61

Diagrams

Lubricator activation margin, size 2

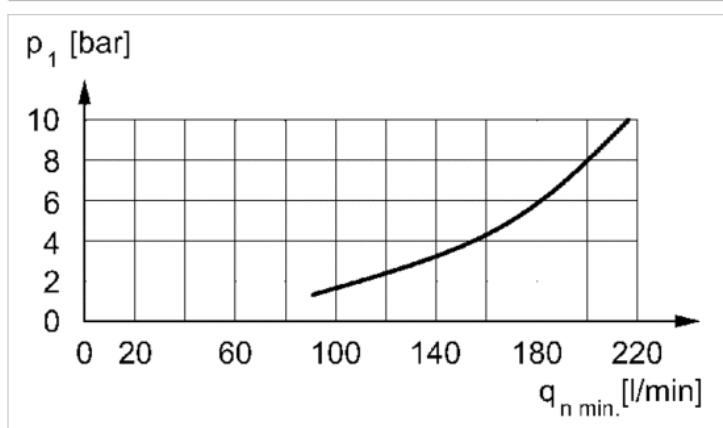


p1 = working pressure

qn = nominal flow

Flow rate necessary for the correct functioning of the lubricator

Lubricator activation margin, size 4

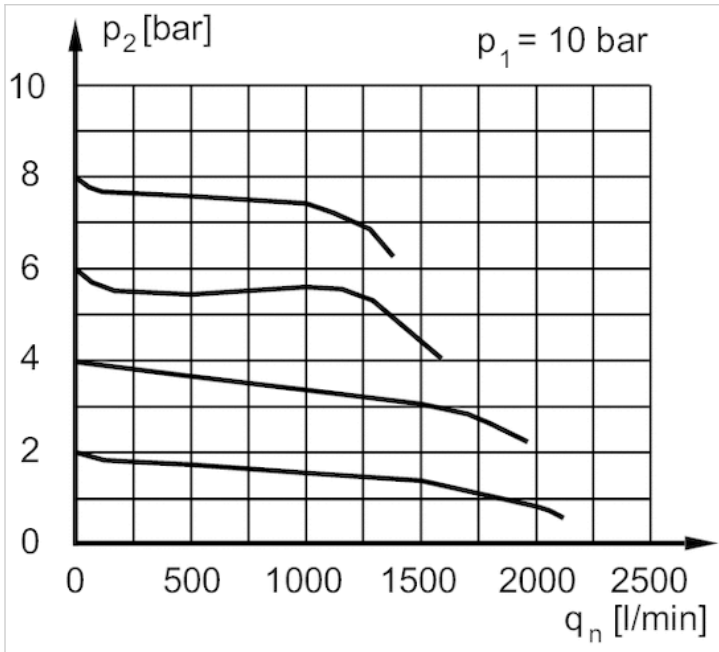


p1 = working pressure

qn = nominal flow

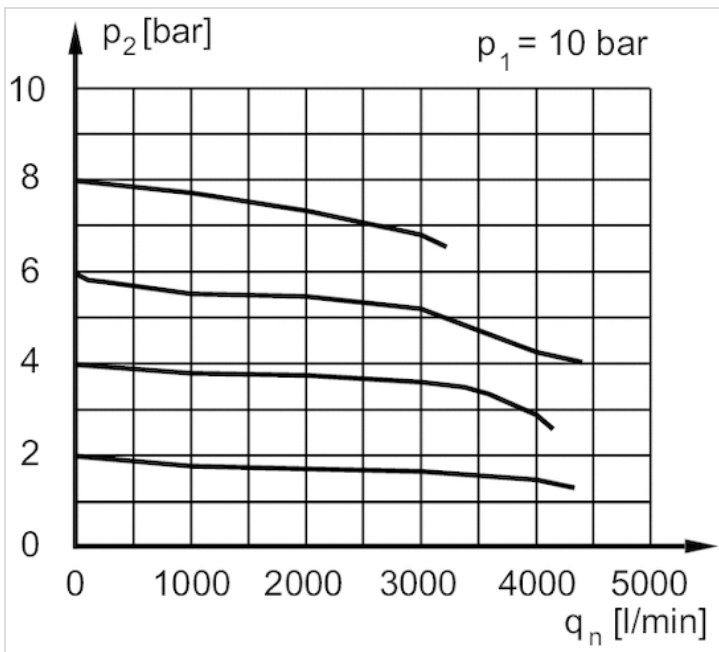
Flow rate necessary for the correct functioning of the lubricator

Flow rate characteristic, size 2



p_1 = working pressure
 p_2 = secondary pressure
 q_n = nominal flow

Flow rate characteristic, size 4



p_1 = working pressure
 p_2 = secondary pressure
 q_n = nominal flow

Reservoir, Series NLC-CLS-SSS-HO

- for universal air preparation unit

- Material metal



Version

Version

Working pressure min./max.

Ambient temperature min./max.

Medium temperature min./max.

Medium

Weight

Reservoir

Metal reservoir without window

1.5 ... 16 bar

-10 ... 50 °C

-10 ... 50 °C

Compressed air

See table below

Technical data

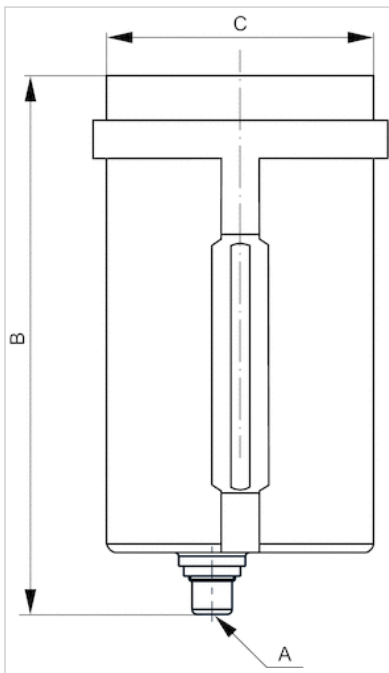
Part No.	Condensate drain	Filter reservoir volume	Weight
R412010835	semi-automatic, open without pressure	960 cm ³	0.92 kg
R412010836	semi-automatic, open without pressure	2360 cm ³	2.17 kg

Technical information

Material	
Reservoir	metal
Seal	Acrylonitrile butadiene rubber

Dimensions

Dimensions



Dimensions in mm

Part No.	A	B	ØC
R412010835	G 1/8	140	60
R412010836	G 1/8	188	84

Reservoir, Series NLC-CLS-PNB

- for universal air preparation unit

- Material Polycarbonate



Version	Reservoir
Mounting orientation	vertical
Working pressure min./max.	1.5 ... 16 bar
Ambient temperature min./max.	-10 ... 50 °C
Medium temperature min./max.	-10 ... 50 °C
Medium	Compressed air

Technical data

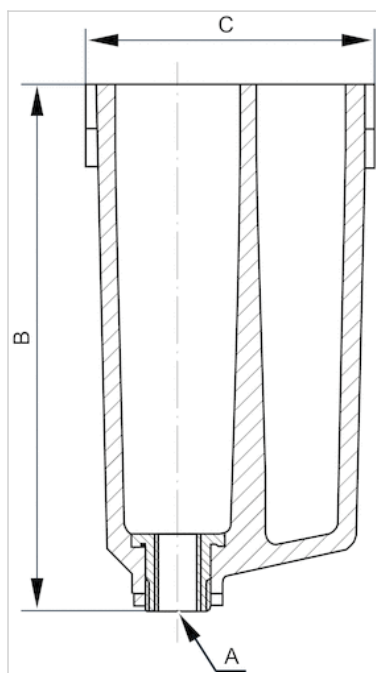
Part No.	Condensate drain	Filter reservoir volume
1820510005	without	400 cm ³
1820510006	without	1300 cm ³

Technical information

Material	
Reservoir	Polycarbonate
Seal	Acrylonitrile butadiene rubber

Dimensions

Dimensions



Dimensions in mm

Part No.	A	B	C
1820510005	G 1/8	128	60
1820510006	G 1/8	165	84

Reservoir, Series NLC-CLS-PNB-HO

- for universal air preparation unit

- Material Polycarbonate



Version

Mounting orientation

Working pressure min./max.

Ambient temperature min./max.

Medium temperature min./max.

Medium

Reservoir

vertical

1.5 ... 16 bar

-10 ... 50 °C

-10 ... 50 °C

Compressed air

Technical data

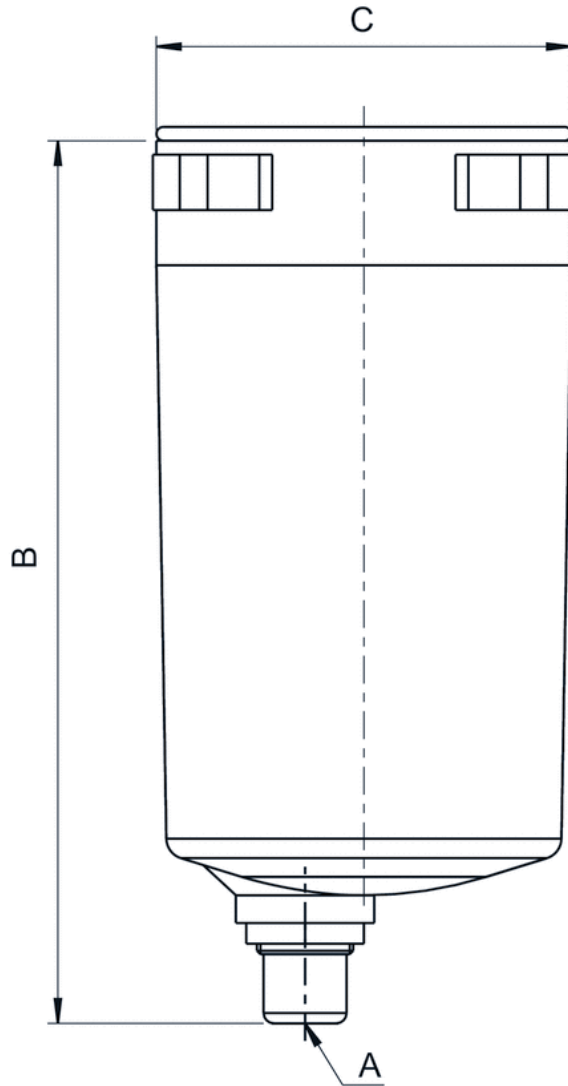
Part No.	Condensate drain	Filter reservoir volume
R412010833	semi-automatic, open without pressure	400 cm ³
R412010834	semi-automatic, open without pressure	1300 cm ³

Technical information

Material	
Reservoir	Polycarbonate
Seal	Acrylonitrile butadiene rubber

Dimensions

Dimensions



Dimensions in mm

Part No.	A	B	C
R412010833	G 1/8	128	60
R412010834	G 1/8	165	84

Protective guard, Series NLC

- for universal air preparation unit



Weight

0.09 kg

Technical data

Part No.	Type
1820507002	NLC Frame size 2
1820507003	NLC Frame size 4

Technical information

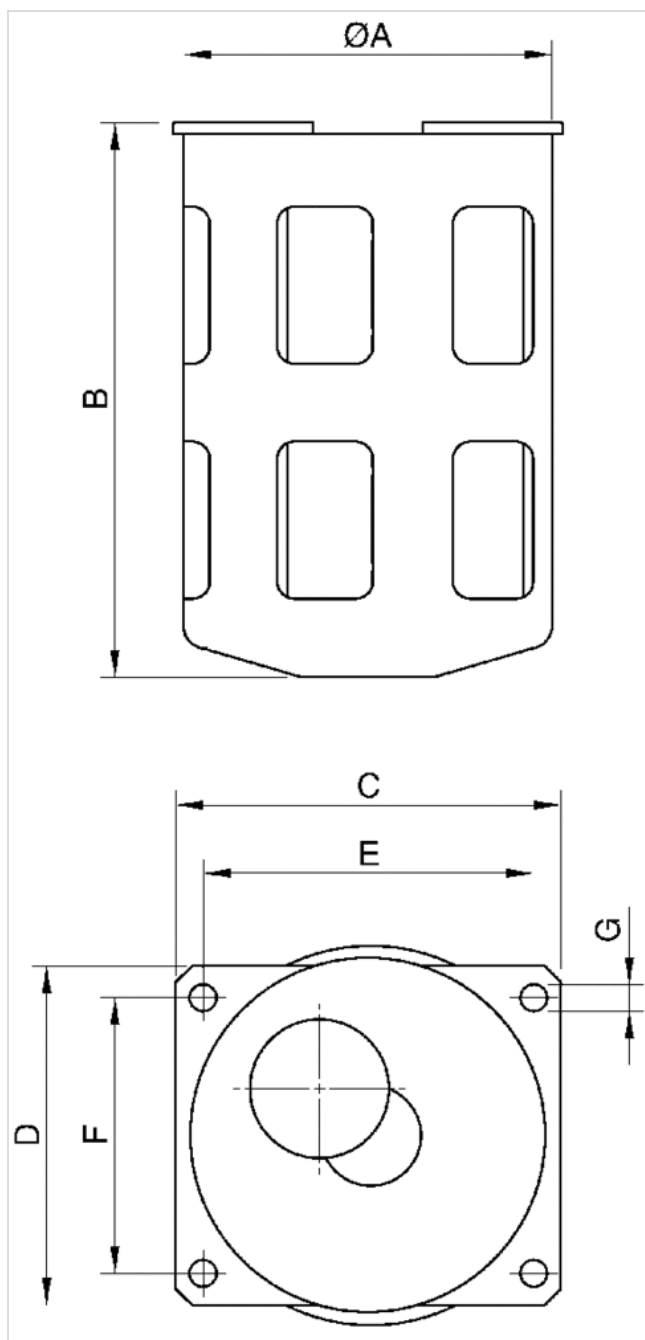
Can be retrofitted for PC reservoir

Technical information

Material

Material	Steel black oxidized
----------	----------------------

Dimensions



Dimensions in mm

Part No.	Type	A	B	C	D	E	F	G
1820507002	NLC Frame size 2	63	94.5	66	58	56	48	5.5
1820507003	NLC Frame size 4	87	132.5	93	80	78	66	8.5

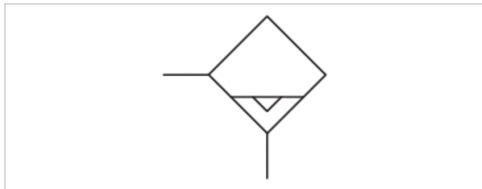
Condensate drain valve, fully automatic, Series NLC

- G 1/2

- Material metal



Mounting orientation	vertical
Working pressure min./max.	4 ... 16 bar
Ambient temperature min./max.	0 ... 90 °C
Medium temperature min./max.	0 ... 90 °C
Medium	Compressed air
Filter reservoir volume	49 cm ³
Weight	0.231 kg



Technical data

Part No.	Condensate drain
0821303015	fully automatic, closed without pressure

Technical information

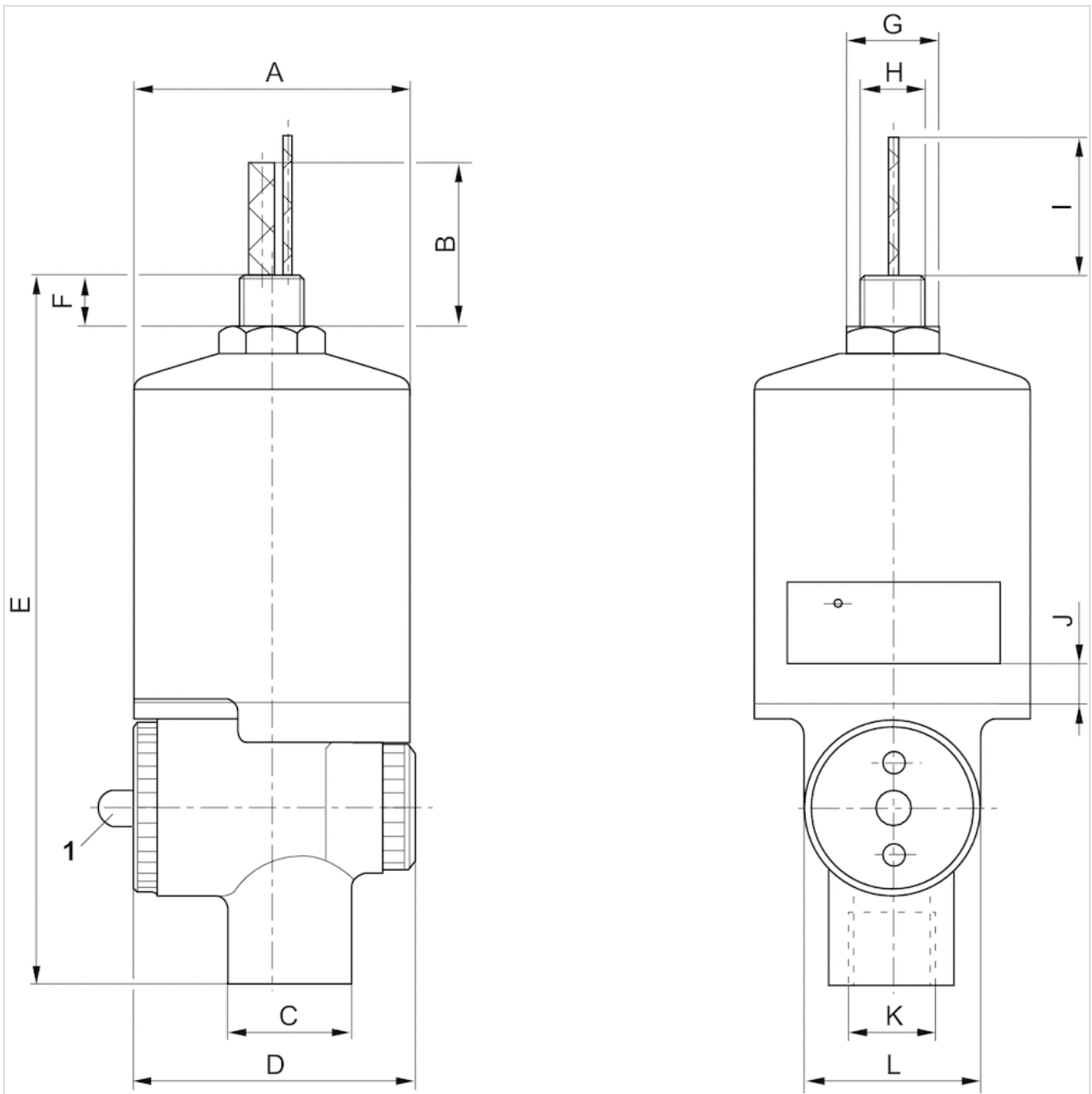
For installation on all NLC series containers.
Can be installed instead of a manual or semi-automatic condensate drain.

Technical information

Material	
Reservoir	metal
Seal	Nitrile butadiene rubber

Dimensions

Dimensions

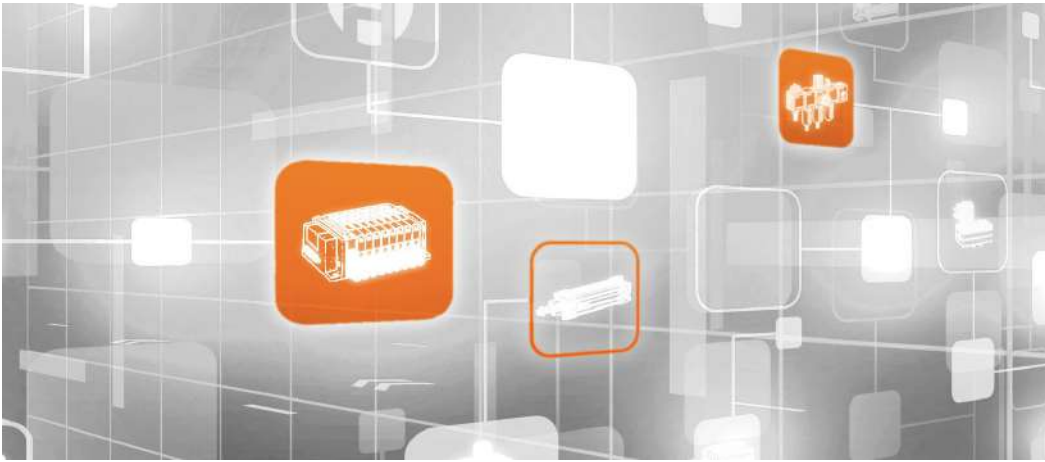


1 = Manual override

Dimensions in mm

Part No.	A	B	ØC	D	E	F	G	H	I	J	K	L
0821303015	42	25	19	43	108	8	SW14	R1/8	21	6	R1/4	27

Efficient pneumatic solutions, our program: cylinders and drives, valves and valve systems, air supply management



Visit us: Emerson.com/Aventics

Your local contact: Emerson.com/contactus



Emerson.com



[Facebook.com/EmersonAutomationSolutions](https://www.facebook.com/EmersonAutomationSolutions)



[LinkedIn.com/company/Emerson-Automation-Solutions](https://www.linkedin.com/company/Emerson-Automation-Solutions)



[Twitter.com/EMR_Automation](https://twitter.com/EMR_Automation)

An example configuration is depicted on the title page. The delivered product may thus vary from that in the illustration. Subject to change. This Document, as well as the data, specifications and other information set forth in it, are the exclusive property of AVENTICS GmbH. It may not be reproduced or given to third parties without its consent. Only use the AVENTICS products shown in industrial applications. Read the product documentation completely and carefully before using the product. Observe the applicable regulations and laws of the respective country. When integrating the product into applications, note the system manufacturer's specifications for safe use of the product. The data specified only serve to describe the product. No statements concerning a certain condition or suitability for a certain application can be derived from our information. The information given does not release the user from the obligation of own judgment and verification. It must be remembered that the products are subject to a natural process of wear and aging.

The Emerson logo is a trademark and service mark of Emerson Electric Co. Brand logotype are registered trademarks of one of the Emerson family of companies. All other marks are the property of their respective owners. © 2017 Emerson Electric Co. All rights reserved.
2019-03



CONSIDER IT SOLVED™