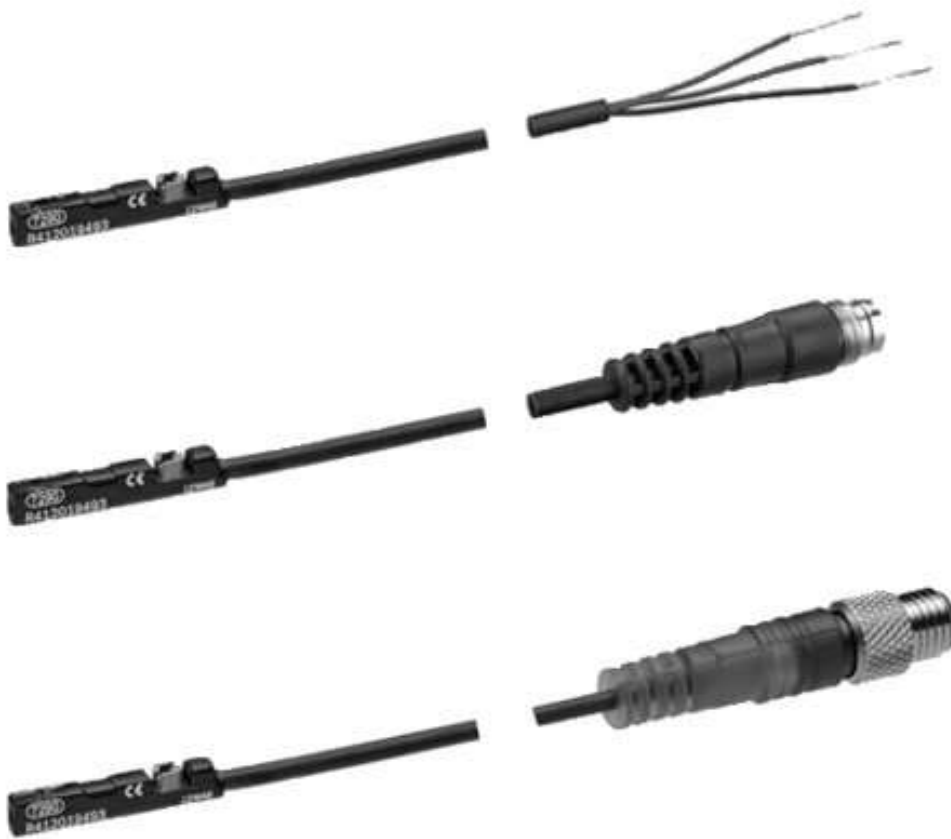


Sensors, Series ST4

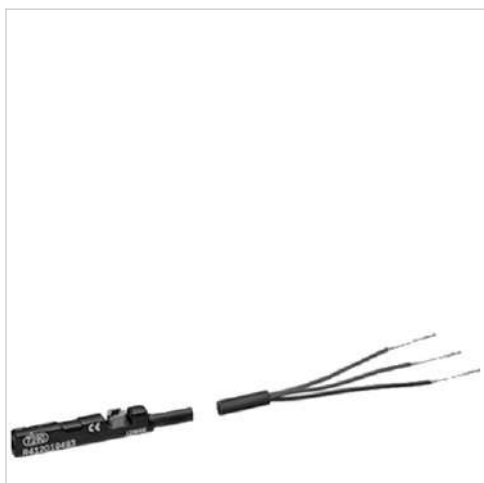


AVENTICS™ Sensors, Series ST4






Sensor, Series ST4

- 4 mm C-slot
- with cable
- open cable ends, 3-pin
- UL certification
- Reed, electronic PNP, electronic NPN
- Direct mounting for series PRA, SSI, GSU, RTC, CKP, GPC, MSC, MSN, RCM, CVI
- Indirect mounting for series MNI, CSL-RD, ICM



Certificates	UL (Underwriters Laboratories) cULus RoHS
Ambient temperature min./max.	-30 ... 80 °C
Protection class	IP65, IP67
Switching point precision	±0,1 mT
Min./max. DC operating voltage	See table below
Switching logic	NO (make contact)
Display	LED
LED status display	Yellow
Vibration resistance	10 - 55 Hz, 1 mm
Shock resistance	30 g / 11 ms
Cable length L	3 5 m
Mounting screw	Combination: slotted and hexagon socket

Technical data

Part No.		for
R412019488		PRA, SSI, GSU, RTC, CKP, GPC, MSC, MSN, RCM, CVI
R412019489		PRA, SSI, GSU, RTC, CKP, GPC, MSC, MSN, RCM, CVI
R412019680		PRA, SSI, GSU, RTC, CKP, GPC, MSC, MSN, RCM, CVI
R412019681		PRA, SSI, GSU, RTC, CKP, GPC, MSC, MSN, RCM, CVI
R412019684		PRA, SSI, GSU, RTC, CKP, GPC, MSC, MSN, RCM, CVI
R412019685		PRA, SSI, GSU, RTC, CKP, GPC, MSC, MSN, RCM, CVI

Part No.	Type of contact	Cable length L	Min./max. DC operating voltage
R412019488	Reed	3 m	5 ... 30 V DC
R412019489	Reed	5 m	5 ... 30 V DC
R412019680	electronic PNP	3 m	10 ... 30 V DC
R412019681	electronic PNP	5 m	10 ... 30 V DC
R412019684	electronic NPN	3 m	10 ... 30 V DC
R412019685	electronic NPN	5 m	10 ... 30 V DC

Part No.	Voltage drop U at I _{max}	DC switching current, max.
R412019488	≤ 0,5 V	0.13 A
R412019489	≤ 0,5 V	0.13 A
R412019680	≤ 2,5 V	0.1 A
R412019681	≤ 2,5 V	0.1 A

Part No.	Voltage drop U at I _{max}	DC switching current, max.
R412019684	≤ 2,5 V	0.1 A
R412019685	≤ 2,5 V	0.1 A

Part No.	AC switching current, max.	Switching capacity
R412019488	0.13 A	3 W / 3 VA
R412019489	0.13 A	3 W / 3 VA
R412019680	-	-
R412019681	-	-
R412019684	-	-
R412019685	-	-

Part No.	Version
R412019488	Protected against polarity reversal
R412019489	Protected against polarity reversal
R412019680	short circuit resistant Protected against polarity reversal
R412019681	short circuit resistant Protected against polarity reversal
R412019684	short circuit resistant Protected against polarity reversal
R412019685	short circuit resistant Protected against polarity reversal

Technical information

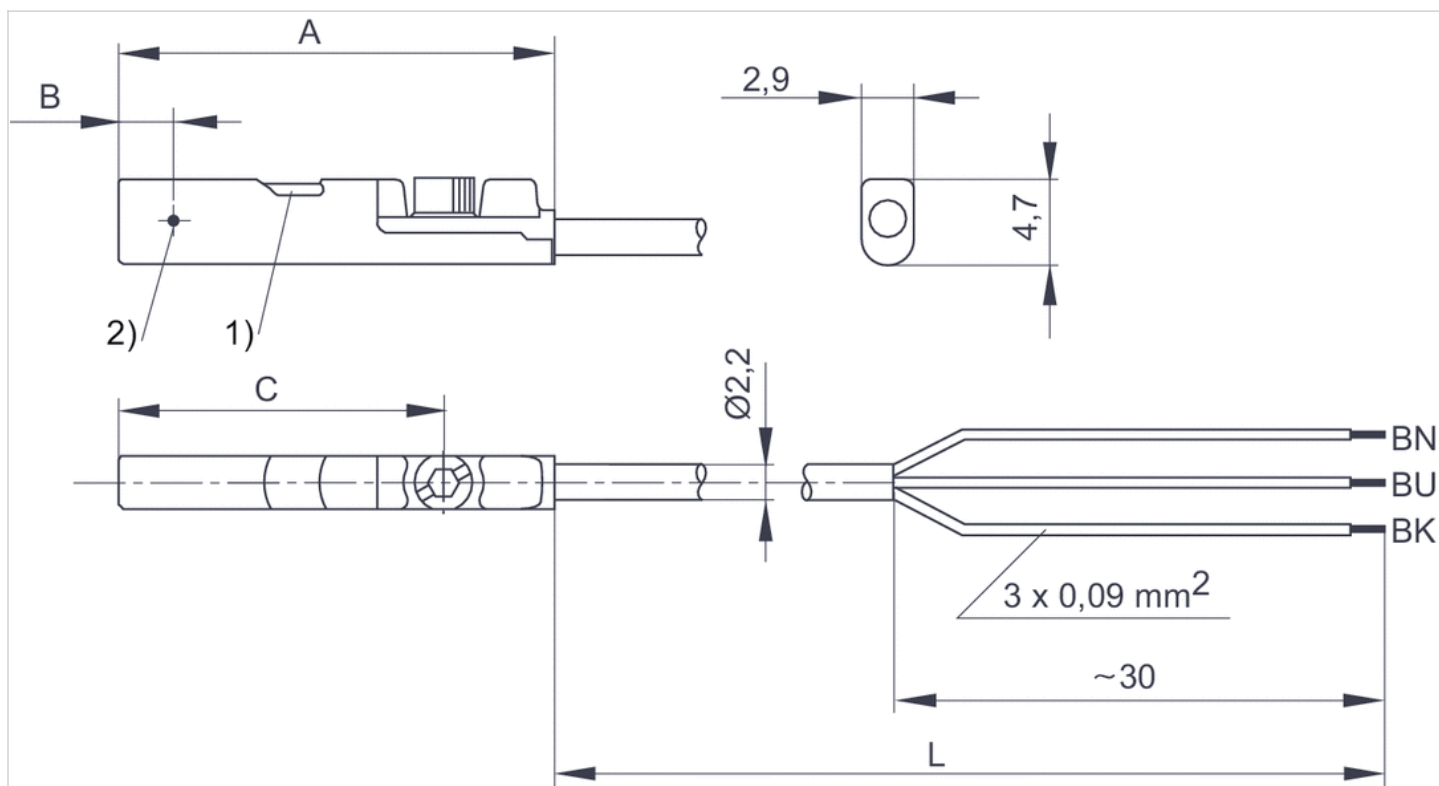
The max. switching capacity must not be exceeded.

Technical information

Material	
Housing	Polyamide fiber-glass reinforced
Cable sheath	Polyurethane

Dimensions

Dimensions



1) LED 2) Switching point

L = cable length

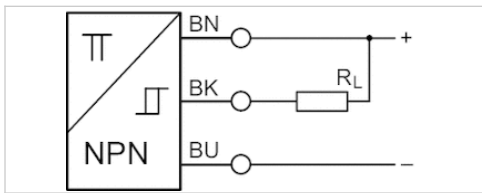
BN = brown, BK = black, BU = blue

Dimensions

Part No.	A	B	C
R412019488	26.3	6.3	20.3
R412019489	26.3	6.3	20.3
R412019680	23.7	2.8	17.7
R412019681	23.7	2.8	17.7
R412019684	23.7	2.8	17.7
R412019685	23.7	2.8	17.7

Sensor, Series ST4

- 4 mm C-slot
- with cable
- open cable ends
- With stretched impulse
- electronic PNP
- Direct mounting for series PRA, SSI, GSU, RTC, CKP, GPC, MSC, MSN, RCM, CVI
- Indirect mounting for series MNI, CSL-RD, ICM



Certificates	RoHS
Ambient temperature min./max.	-30 ... 80 °C
Protection class	IP65, IP67
Switching point precision	±0,1 mT
Min./max. DC operating voltage	10 ... 30 V DC
Switching logic	NO (make contact)
Pulse stretching	20 ms
Display	LED
LED status display	Yellow
Vibration resistance	10 - 55 Hz, 1 mm
Shock resistance	30 g / 11 ms
Cable length L	5 m
Mounting screw	Combination: slotted and hexagon socket

Technical data

Part No.	for	Type of contact
R412024124	PRA, SSI, GSU, RTC, CKP, GPC, MSC, MSN, RCM, CVI	electronic PNP

Part No.	Cable length L	Voltage drop U at I _{max}	DC switching current, max.
R412024124	5 m	≤ 2,5 V	0.1 A

Part No.	Switch signal
R412024124	With stretched impulse

Technical information

The max. switching capacity must not be exceeded.

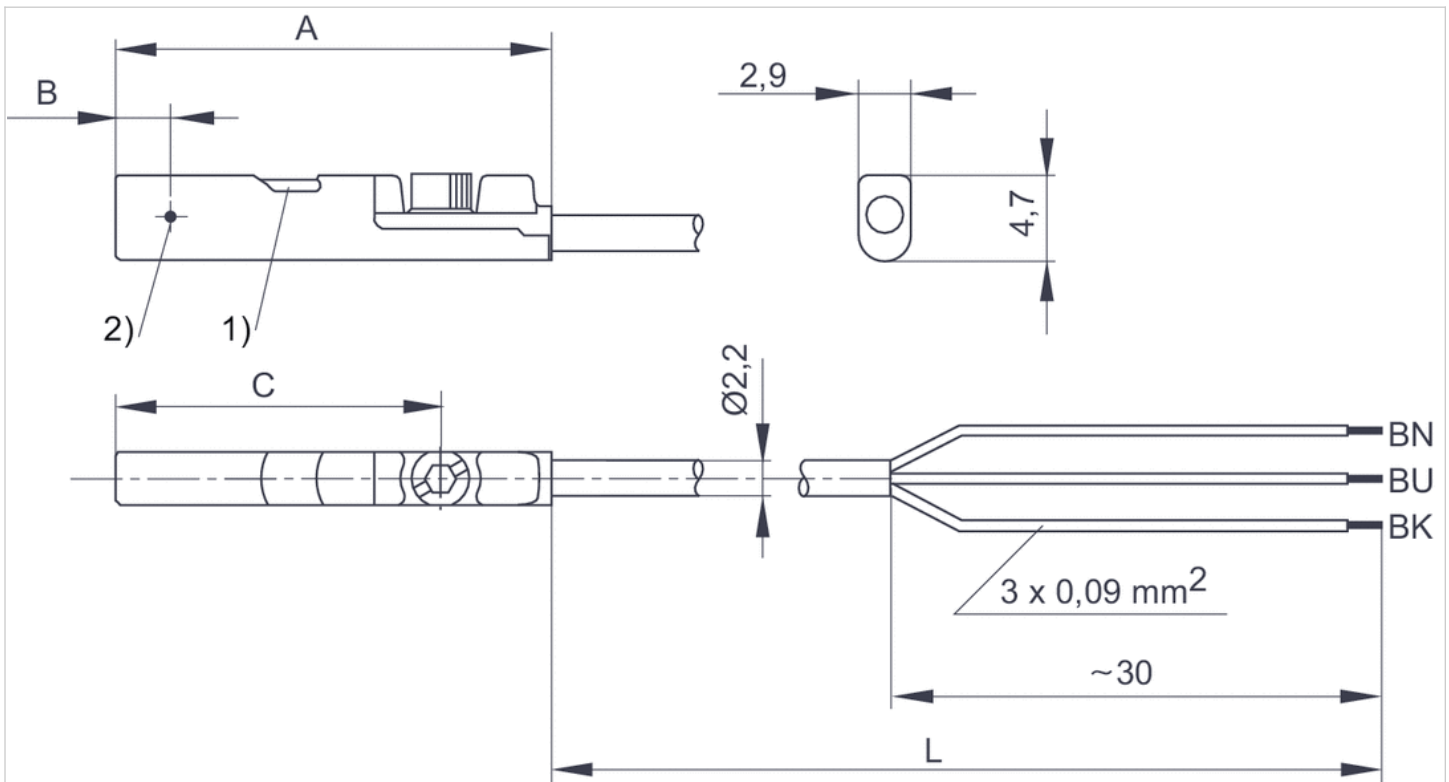
Technical information

Material

Housing	Polyamide fiber-glass reinforced
Cable sheath	Polyurethane

Dimensions

Dimensions



1) LED 2) Switching point

L = cable length

BN = brown, BK = black, BU = blue

Dimensions

Part No.	A	B	C
R412024124	23.7	2.8	17.7

Sensor, Series ST4

- 4 mm C-slot
- with cable
- Plug, M8, 3-pin
- UL certification
- Reed, electronic PNP, electronic NPN
- Direct mounting for series PRA, SSI, GSU, RTC, CKP, GSP, MSC, MSN, RCM, CVI
- Indirect mounting for series MNI, CSL-RD, ICM



Certificates	UL (Underwriters Laboratories) cULus RoHS
Ambient temperature min./max.	-30 ... 80 °C
Protection class	IP65, IP67
Switching point precision	±0,1 mT
Min./max. DC operating voltage	See table below
Switching logic	NO (make contact)
Display	LED
LED status display	Yellow
Vibration resistance	10 - 55 Hz, 1 mm
Shock resistance	30 g / 11 ms
Cable length L	0.3 m
Mounting screw	Combination: slotted and hexagon socket

Technical data

Part No.		for
R412019682		PRA, SSI, GSU, RTC, CKP, GSP, MSC, MSN, RCM, CVI
R412019683		PRA, SSI, GSU, RTC, CKP, GSP, MSC, MSN, RCM, CVI
R412019694		PRA, SSI, GSU, RTC, CKP, GSP, MSC, MSN, RCM, CVI

Part No.	Type of contact	Cable length L	Min./max. DC operating voltage
R412019682	Reed	0.3 m	5 ... 30 V DC
R412019683	electronic PNP	0.3 m	10 ... 30 V DC
R412019694	electronic NPN	0.3 m	10 ... 30 V DC

Part No.	Voltage drop U at I _{max}	DC switching current, max.
R412019682	≤ 0,5 V	0.13 A
R412019683	≤ 2,5 V	0.1 A
R412019694	≤ 2,5 V	0.1 A

Part No.	AC switching current, max.	Switching capacity
R412019682	0.13 A	3 W / 3 VA
R412019683	-	-
R412019694	-	-

Part No.	Version
R412019682	Protected against polarity reversal
R412019683	short circuit resistant Protected against polarity reversal
R412019694	short circuit resistant Protected against polarity reversal

Technical information

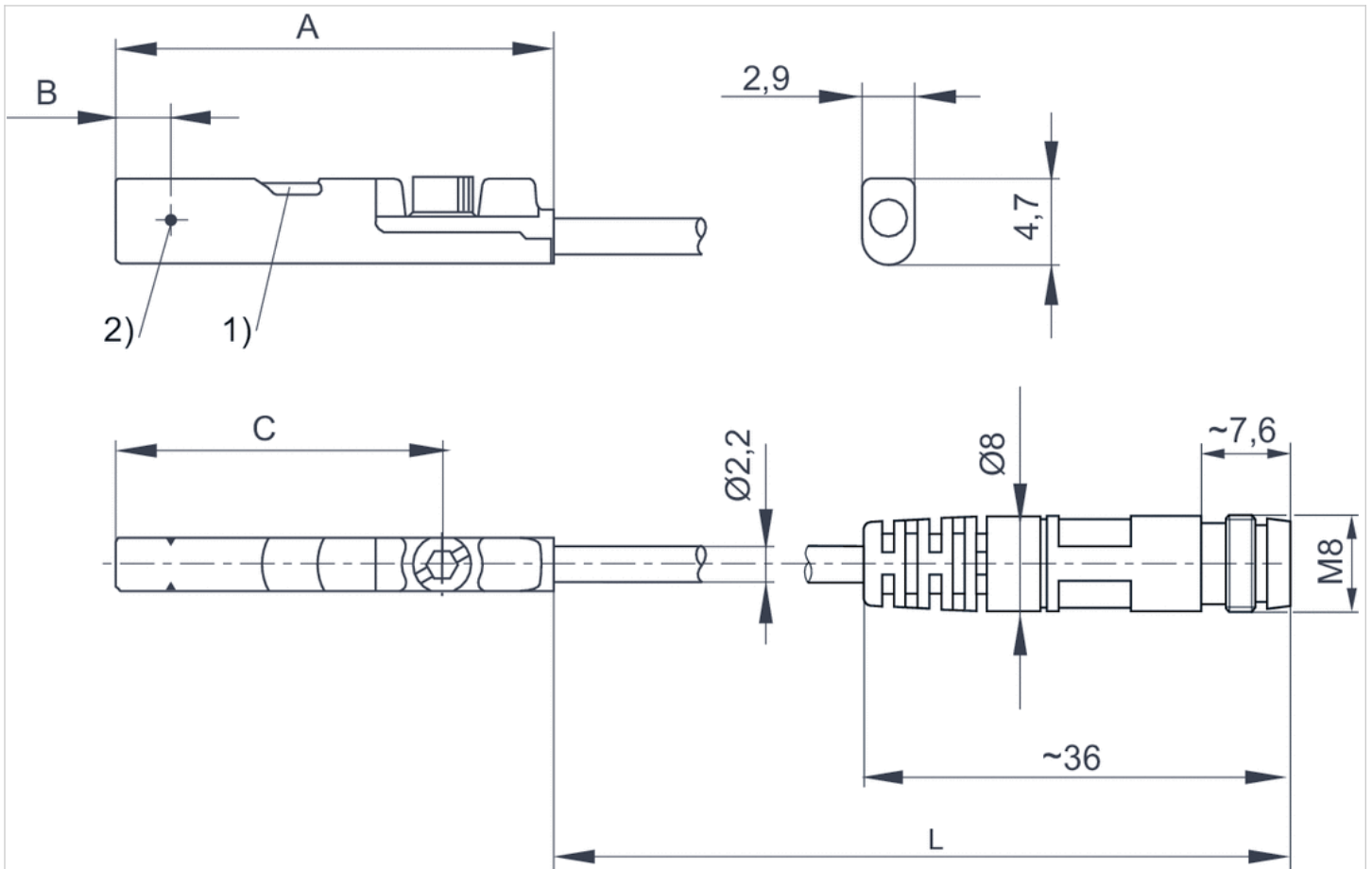
The max. switching capacity must not be exceeded.

Technical information

Material	
Housing	Polyamide fiber-glass reinforced
Cable sheath	Polyurethane

Dimensions

Dimensions



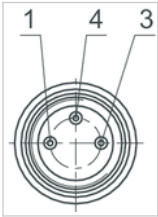
1) LED 2) Switching point
L = cable length

Dimensions

Part No.	A	B	C
R412019682	26.3	6.3	20.3
R412019683	23.7	2.8	17.7
R412019694	23.7	2.8	17.7

Pin assignments

Pin assignments



Pin	1	3	4
Allocation	(+)	(-)	(OUT)

Sensor, Series ST4

- 4 mm C-slot
- with cable
- Plug, M8, 3-pin, with knurled screw
- UL certification
- Reed, electronic PNP
- Direct mounting for series PRA, SSI, GSU, RTC, CKP, GPC, MSC, MSN, RCM, CVI
- Indirect mounting for series MNI, CSL-RD, ICM



Certificates	UL (Underwriters Laboratories) cULus RoHS
Ambient temperature min./max.	-30 ... 80 °C
Protection class	IP65, IP67
Switching point precision	±0,1 mT
Min./max. DC operating voltage	See table below
Switching logic	NO (make contact)
Display	LED
LED status display	Yellow
Vibration resistance	10 - 55 Hz, 1 mm
Shock resistance	30 g / 11 ms
Cable length L	0.3 0.5 m
Mounting screw	Combination: slotted and hexagon socket

Technical data

Part No.		for
R412019490		PRA, SSI, GSU, RTC, CKP, GPC, MSC, MSN, RCM, CVI
R412019686		PRA, SSI, GSU, RTC, CKP, GPC, MSC, MSN, RCM, CVI
R412019493		PRA, SSI, GSU, RTC, CKP, GPC, MSC, MSN, RCM, CVI
R412019687		PRA, SSI, GSU, RTC, CKP, GPC, MSC, MSN, RCM, CVI

Part No.	Type of contact	Cable length L	Min./max. DC operating voltage
R412019490	Reed	0.3 m	5 ... 30 V DC
R412019686	Reed	0.5 m	5 ... 30 V DC
R412019493	electronic PNP	0.3 m	10 ... 30 V DC
R412019687	electronic PNP	0.5 m	10 ... 30 V DC

Part No.	Voltage drop U at I _{max}	DC switching current, max.
R412019490	≤ 0,5 V	0.13 A
R412019686	≤ 0,5 V	0.13 A
R412019493	≤ 2,5 V	0.1 A
R412019687	≤ 2,5 V	0.1 A

Part No.	AC switching current, max.	Switching capacity
R412019490	0.13 A	3 W / 3 VA

Part No.	AC switching current, max.	Switching capacity
R412019686	0.13 A	3 W / 3 VA
R412019493	-	-
R412019687	-	-

Part No.	Version
R412019490	Protected against polarity reversal
R412019686	Protected against polarity reversal
R412019493	short circuit resistant Protected against polarity reversal
R412019687	short circuit resistant Protected against polarity reversal

Technical information

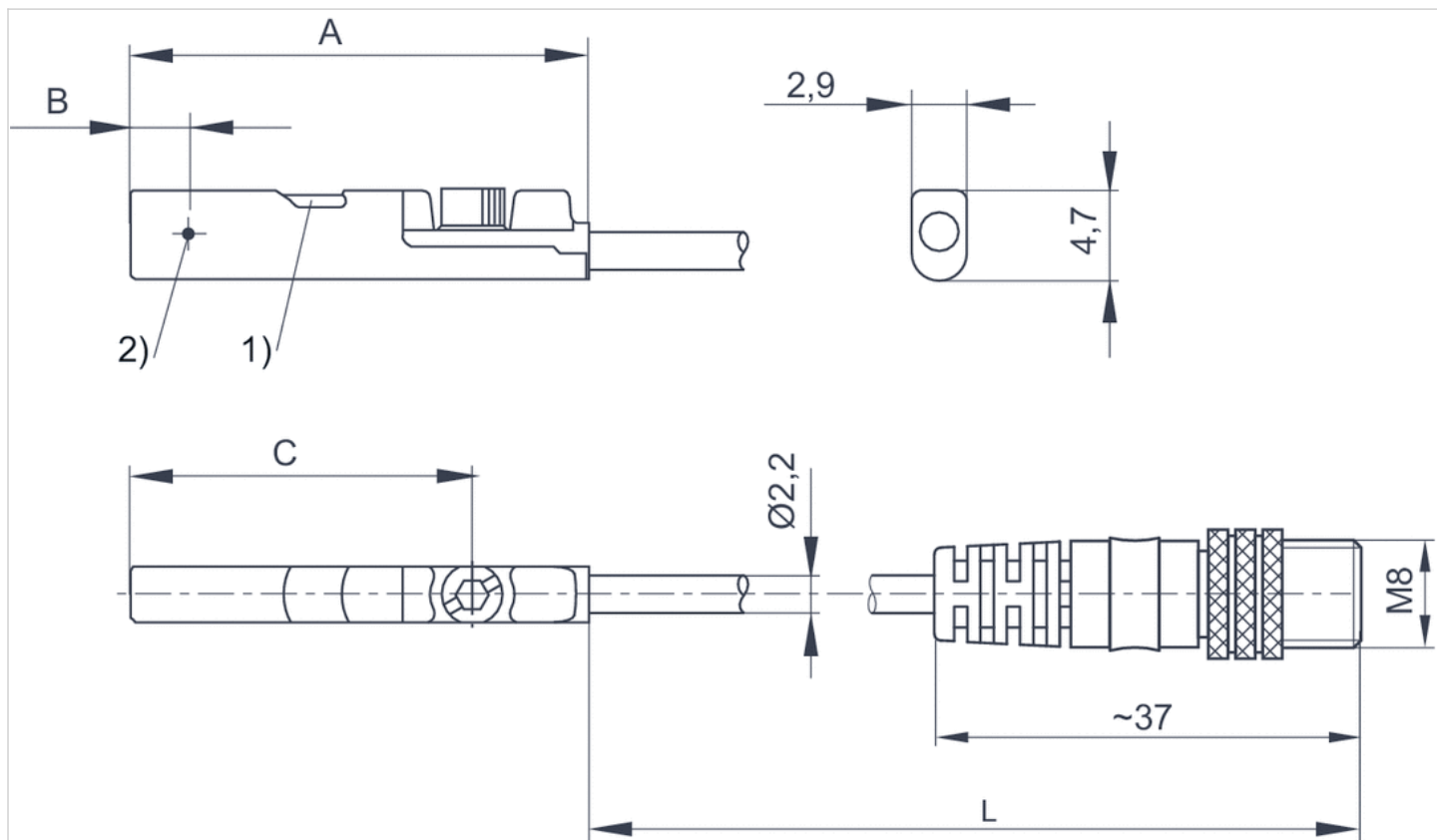
The max. switching capacity must not be exceeded.

Technical information

Material	
Housing	Polyamide fiber-glass reinforced
Cable sheath	Polyurethane

Dimensions

Dimensions



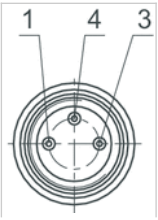
1) LED 2) Switching point
L = cable length

Dimensions

Part No.	A	B	C
R412019490	26.3	6.3	20.3
R412019686	26.3	6.3	20.3
R412019493	23.7	2.8	17.7
R412019687	23.7	2.8	17.7

Pin assignments

Pin assignments



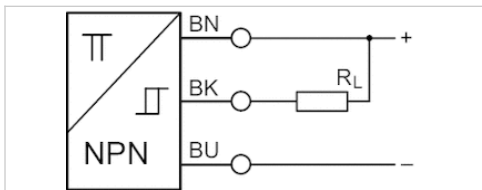
Pin	1	3	4
Allocation	(+)	(-)	(OUT)

Sensor, Series ST4

- 4 mm C-slot
- with cable
- Plug, M8, 3-pin Plug, M8, 3-pin, with knurled screw
- With stretched impulse
- electronic NPN, electronic PNP
- Direct mounting for series PRA, SSI, GSU, RTC, CKP, GPC, MSC, MSN, RCM, CVI
- Indirect mounting for series MNI, CSL-RD, ICM



Certificates	RoHS
Ambient temperature min./max.	-30 ... 80 °C
Protection class	IP65, IP67
Switching point precision	±0,1 mT
Min./max. DC operating voltage	10 ... 30 V DC
Switching logic	NO (make contact)
Pulse stretching	20 ms
Display	LED
LED status display	Yellow
Vibration resistance	10 - 55 Hz, 1 mm
Shock resistance	30 g / 11 ms
Cable length L	0.3 m
Mounting screw	Combination: slotted and hexagon socket



Technical data

Part No.	for	Type of contact
R412024123	PRA, SSI, GSU, RTC, CKP, GPC, MSC, MSN, RCM, CVI	electronic NPN
R412024125	PRA, SSI, GSU, RTC, CKP, GPC, MSC, MSN, RCM, CVI	electronic PNP

Part No.	Cable length L	Voltage drop U at I _{max}	DC switching current, max.
R412024123	0.3 m	≤ 2,5 V	0.1 A
R412024125	0.3 m	≤ 2,5 V	0.1 A

Part No.	Switch signal	
R412024123	With stretched impulse	1)
R412024125	With stretched impulse	2)

1) Plug M8, 3-pin

2) Plug M8, 3-pin, with knurled screw

Technical information

The max. switching capacity must not be exceeded.

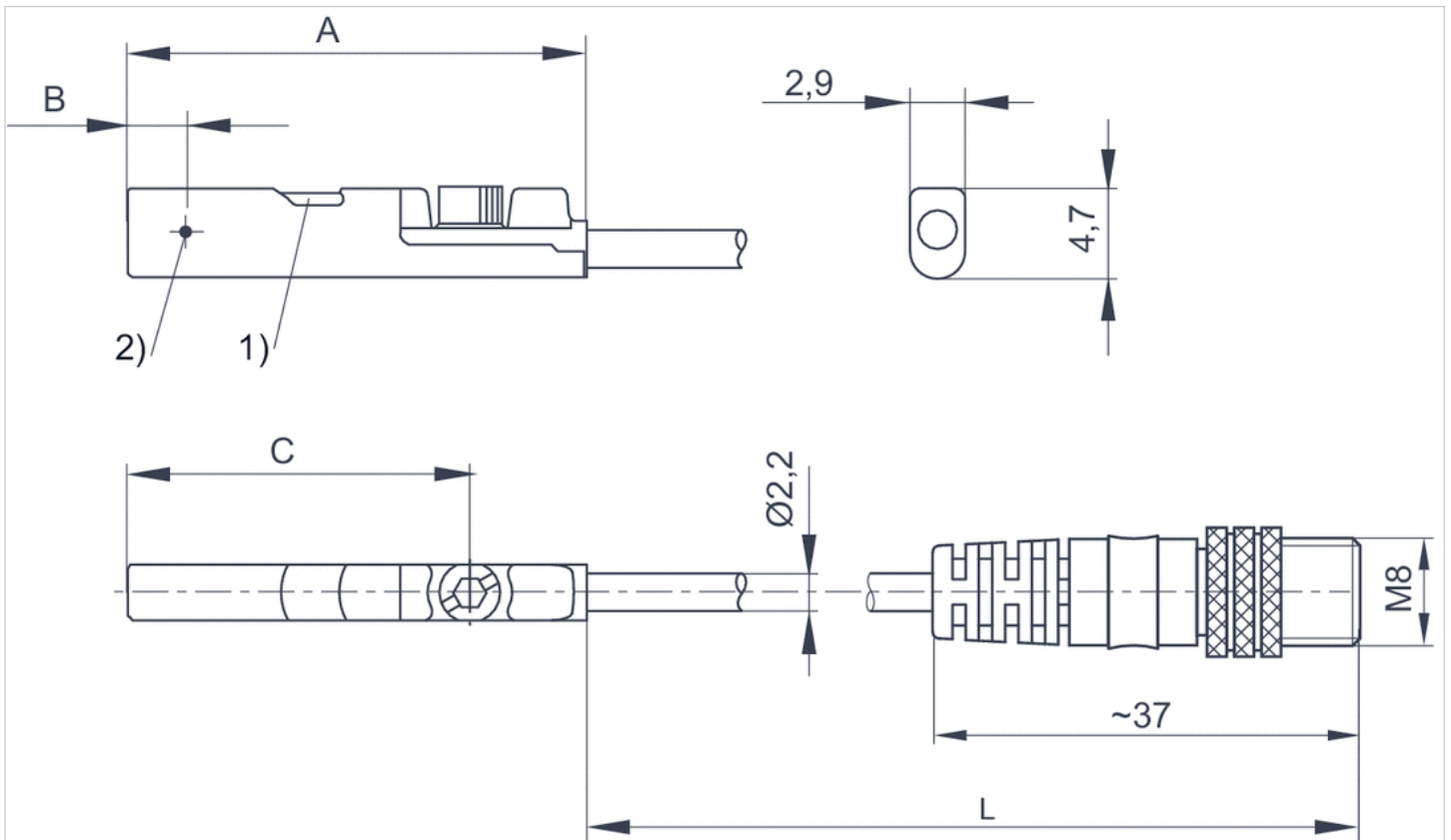
Technical information

Material

Housing	Polyamide fiber-glass reinforced
Cable sheath	Polyurethane

Dimensions

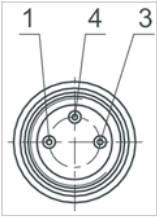
Dimensions



1) LED 2) Switching point
L = cable length

Pin assignments

Pin assignments



Pin	1	3	4
Allocation	(+)	(-)	(OUT)



Sensor, Series ST4

- 4 mm C-slot
- with cable
- Plug, M12, 3-pin, with knurled screw
- UL certification
- Reed, electronic PNP
- Direct mounting for series PRA, SSI, GSU, RTC, CKP, GPC, MSC, MSN, RCM, CVI
- Indirect mounting for series MNI, CSL-RD, ICM



Certificates	UL (Underwriters Laboratories) cULus RoHS
Ambient temperature min./max.	-30 ... 80 °C
Protection class	IP65, IP67
Switching point precision	±0,1 mT
Min./max. DC operating voltage	See table below
Switching logic	NO (make contact)
Display	LED
LED status display	Yellow
Vibration resistance	10 - 55 Hz, 1 mm
Shock resistance	30 g / 11 ms
Cable length L	0.3 m
Mounting screw	Combination: slotted and hexagon socket

Technical data

Part No.		for
R412019688		PRA, SSI, GSU, RTC, CKP, GPC, MSC, MSN, RCM, CVI
R412019689		PRA, SSI, GSU, RTC, CKP, GPC, MSC, MSN, RCM, CVI

Part No.	Type of contact	Cable length L	Min./max. DC operating voltage
R412019688	Reed	0.3 m	5 ... 30 V DC
R412019689	electronic PNP	0.3 m	10 ... 30 V DC

Part No.	Voltage drop U at I _{max}	DC switching current, max.
R412019688	≤ 0,5 V	0.13 A
R412019689	≤ 2,5 V	0.1 A

Part No.	AC switching current, max.	Switching capacity
R412019688	0.13 A	3 W / 3 VA
R412019689	-	-

Part No.	Version
R412019688	Protected against polarity reversal

Part No.	Version
R412019689	short circuit resistant Protected against polarity reversal

Technical information

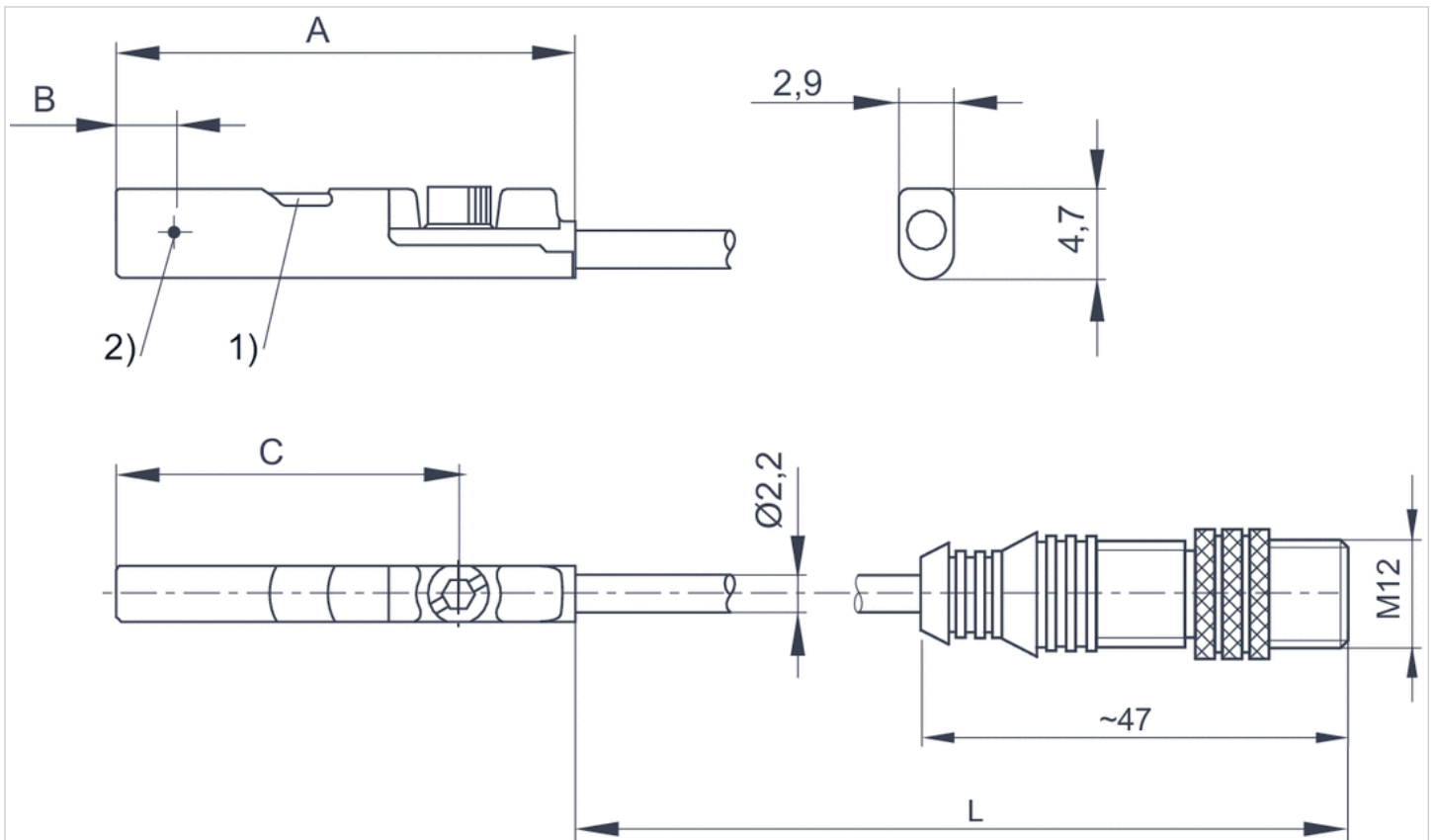
The max. switching capacity must not be exceeded.

Technical information

Material	
Housing	Polyamide fiber-glass reinforced
Cable sheath	Polyurethane

Dimensions

Dimensions

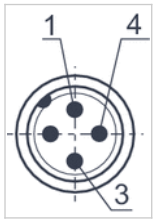


1) LED 2) Switching point
L = cable length

Dimensions

Part No.	A	B	C
R412019688	26.3	6.3	20.3
R412019689	23.7	2.8	17.7

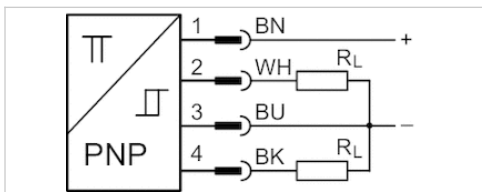
Pin assignments



Pin	1	3	4
Allocation	(+)	(-)	(OUT)

Sensors, Series ST4-2P

- 4 mm C-slot
- number of switching points 2
- with cable
- without wire end ferrule, tin-plated, 4-pin
- electronic PNP
- 2 switching points
- Direct mounting for series PRA, SSI, RTC, GPC, MSC, MSN, RCM, CVI
- Indirect mounting for series MNI, CSL-RD, ICM



Certificates	RoHS
Ambient temperature min./max.	-20 ... 75 °C
Protection class	IP65, IP67
number of switching points	2
Power consumption	15 mA
Min./max. DC operating voltage	12 ... 30 V DC
Repetitive precision max. measuring range	0,1 mT
Hysteresis	1 mT
Switching logic	NO (make contact)
Display	LED
LED status display	Yellow
Display	2 LED
Vibration resistance	10 - 55 Hz, 1 mm
Shock resistance	30 g / 11 ms
Cable length L	2 m
Mounting screw	with hexagon socket

Technical data

Part No.	for	Type of contact	Cable length L
R412010139	PRA, SSI, RTC, GPC, MSC, MSN, RCM, CVI	electronic PNP	2 m

Part No.	Detection range max.	Voltage drop U at I _{max}	DC switching current, max.
R412010139	50 mm	≤ 2,2 V	0.15 A

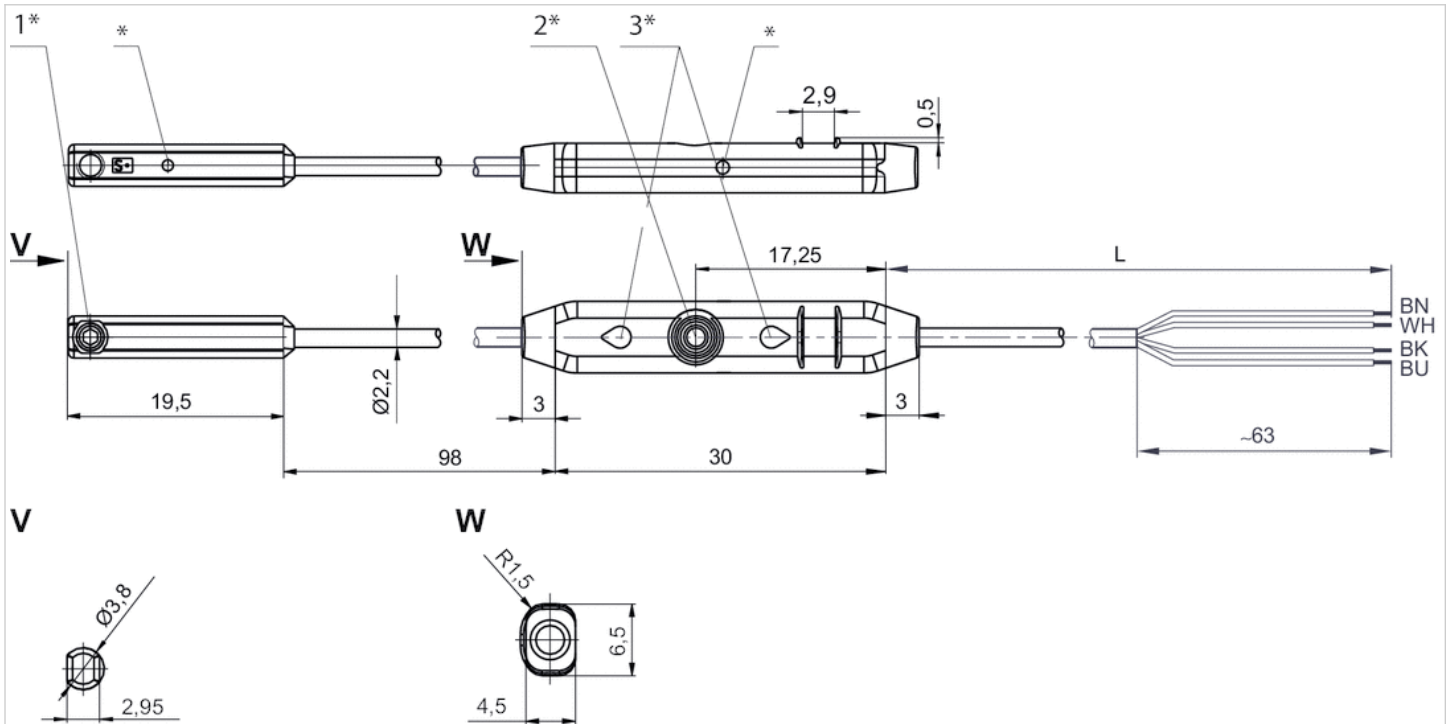
Part No.	Function	Version
R412010139	electronic PNP	short circuit resistant Protected against polarity reversal

Technical information

Material	
Housing	Polyamide
Cable sheath	Polyurethane

Dimensions

Dimensions



1* = mounting screw 2* = teach button 3* = LED

L = cable length

(1) BN=brown

(2) WH=white

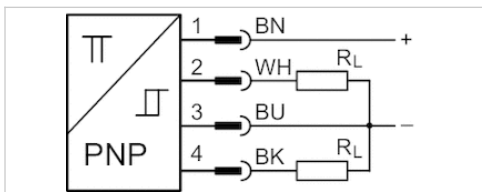
(3) BU=blue

(4) BK=black

* Switching point

Sensors, Series ST4-2P

- 4 mm C-slot
- number of switching points 2
- with cable
- Plug, M8x1, 4-pin, with knurled screw
- 2 switching points
- electronic PNP
- Direct mounting for series PRA, SSI, RTC, GPC, MSC, MSN, RCM, CVI
- Indirect mounting for series MNI, CSL-RD, ICM



Certificates	RoHS
Ambient temperature min./max.	-20 ... 75 °C
Protection class	IP65, IP67
number of switching points	2
Power consumption	15 mA
Min./max. DC operating voltage	12 ... 30 V DC
Repetitive precision max. measuring range	0,1 mT
Hysteresis	1 mT
Switching logic	NO (make contact)
Display	LED
LED status display	Yellow
Display	2 LED
Vibration resistance	10 - 55 Hz, 1 mm
Shock resistance	30 g / 11 ms
Cable length L	0.3 m
Mounting screw	with hexagon socket

Technical data

Part No.	for	Type of contact	Cable length L
R412010140	PRA, SSI, RTC, GPC, MSC, MSN, RCM, CVI	electronic PNP	0.3 m

Part No.	Detection range max.	Voltage drop U at I _{max}	Function
R412010140	50 mm	≤ 2,2 V	electronic PNP

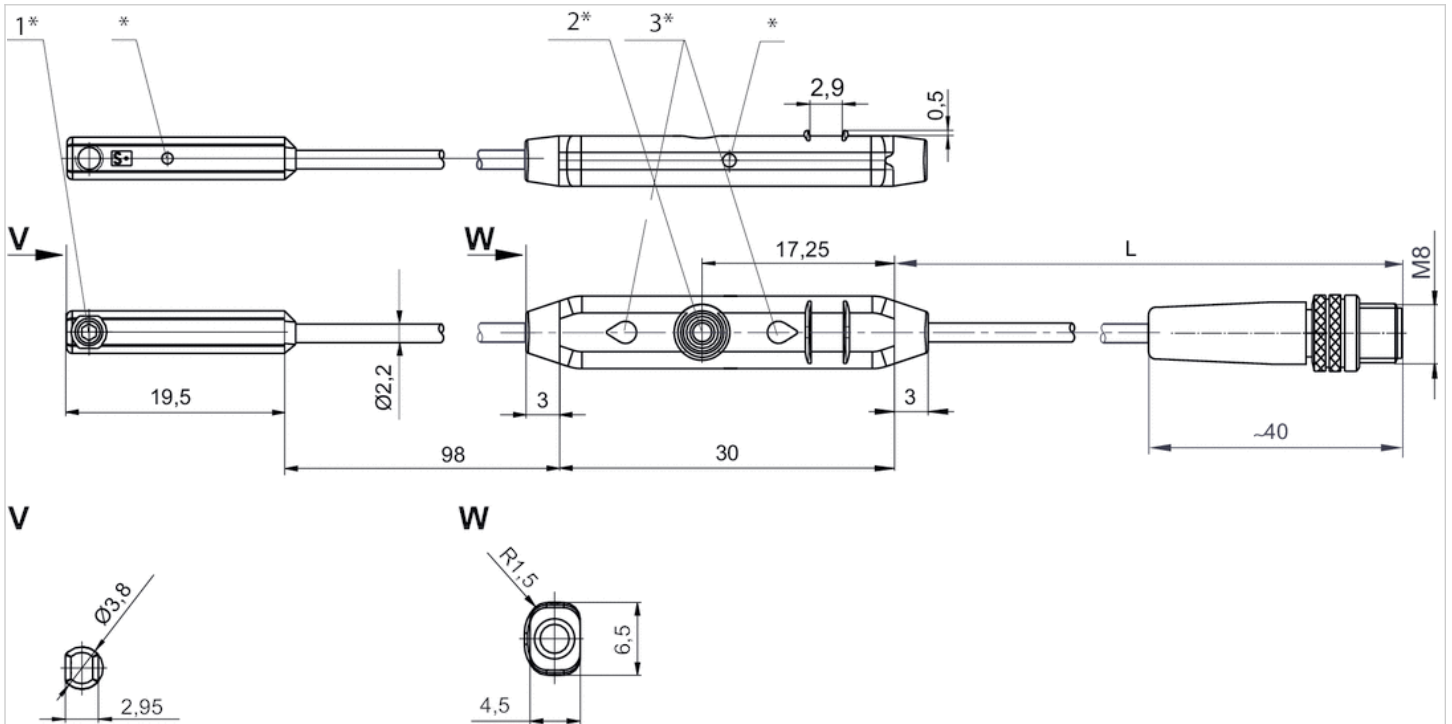
Part No.	Version
R412010140	short circuit resistant Protected against polarity reversal

Technical information

Material	
Housing	Polyamide
Cable sheath	Polyurethane

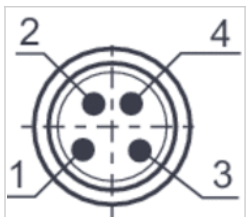
Dimensions

Dimensions



1* = mounting screw 2* = teach button 3* = LED
 L = cable length
 * Switching point

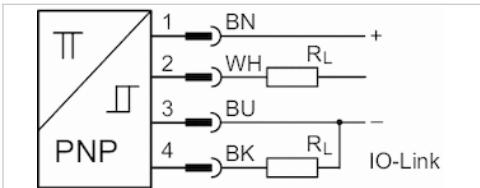
Pin assignments



Pin	1	2	3	4
Allocation	(+)	(OUT)	(-)	(OUT)

Sensors, Series ST4-2P

- 4 mm C-slot
- number of switching points 2
- with cable
- Plug, M12x1, 4-pin, with knurled screw
- IO-Link, 2 switching points
- electronic PNP
- Direct mounting for series PRA, SSI, RTC, GPC, MSC, MSN, RCM, CVI
- Indirect mounting for series MNI, CSL-RD, ICM



Certificates	RoHS
Ambient temperature min./max.	-20 ... 75 °C
Protection class	IP67
number of switching points	2
Power consumption	15 mA
Min./max. DC operating voltage	12 ... 30 V DC
Repetitive precision max. measuring range	0,1 mT
Hysteresis	1 mT
Switching logic	NO (make contact)
LED status display	Yellow
Display	2 LED
Vibration resistance	10 - 55 Hz, 1 mm
Shock resistance	30 g / 11 ms
Cable length L	0.3 m
Mounting screw	with hexagon socket

Technical data

Part No.	for	Type of contact	Cable length L
R412023459	PRA, SSI, RTC, GPC, MSC, MSN, RCM, CVI	electronic PNP	0.3 m

Part No.	Detection range max.	Voltage drop U at I _{max}
R412023459	50 mm	≤ 2,2 V

Part No.	Version
R412023459	Wire break protection Short circuit resistance Reverse polarity protection Switch-on pulse suppression

Technical information

The IO-Link device description (IODD) for the ST4-2P proximity sensor is available for download in the Media Centre.

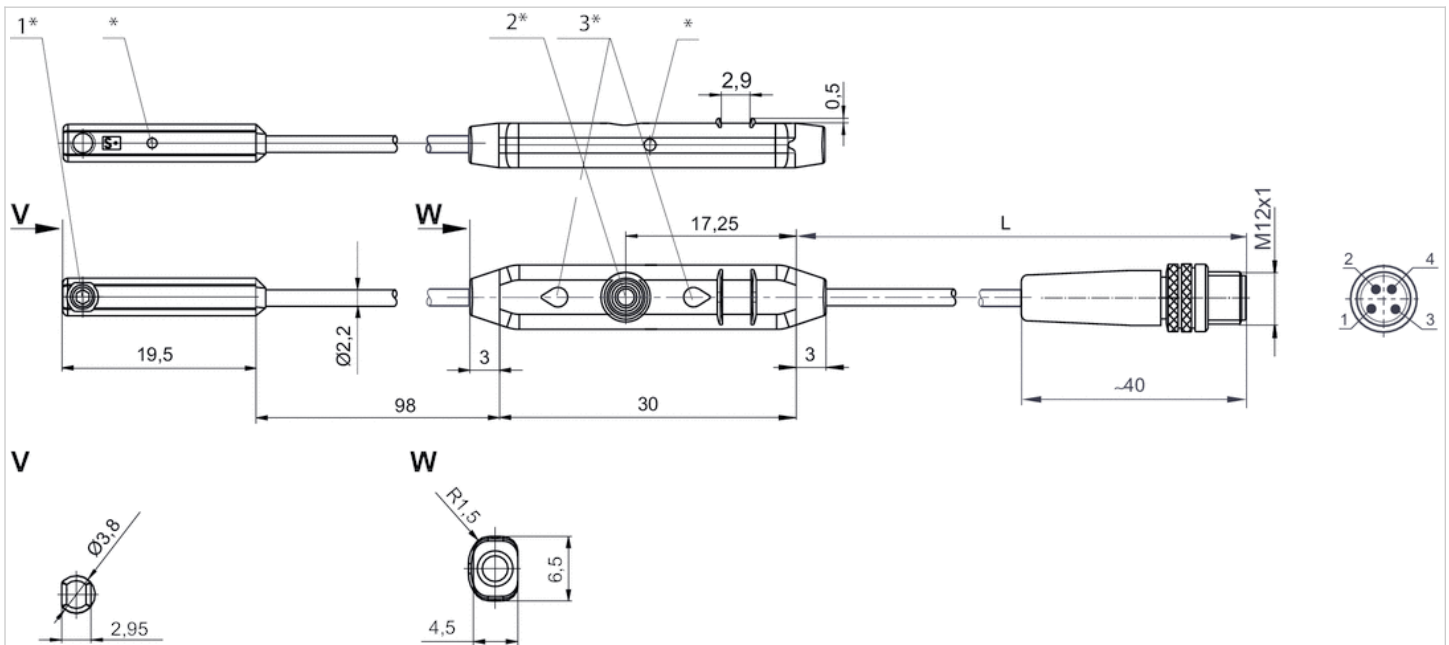
Technical information

Material

Housing	Polyamide
Cable sheath	Polyurethane

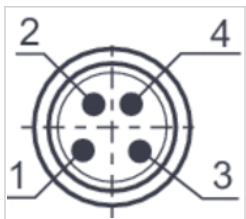
Dimensions

Dimensions



1* = mounting screw 2* = teach button 3* = LED
 L = cable length
 PIN assignment: 1 = (+), 2 = (OUT), 3 = (-), 4 = (OUT) IO-Link
 * Switching point

Pin assignments



Pin	1	2	3	4
Allocation	(+)	(OUT)	(-)	IO-Link (OUT)

Sensor mounting, Series CB1

- for series ST4, ST6

- to mount on cylinder MNI, ICM, CSL-RD



Ambient temperature min./max.

-30 ... 80 °C

Weight

0.007 kg

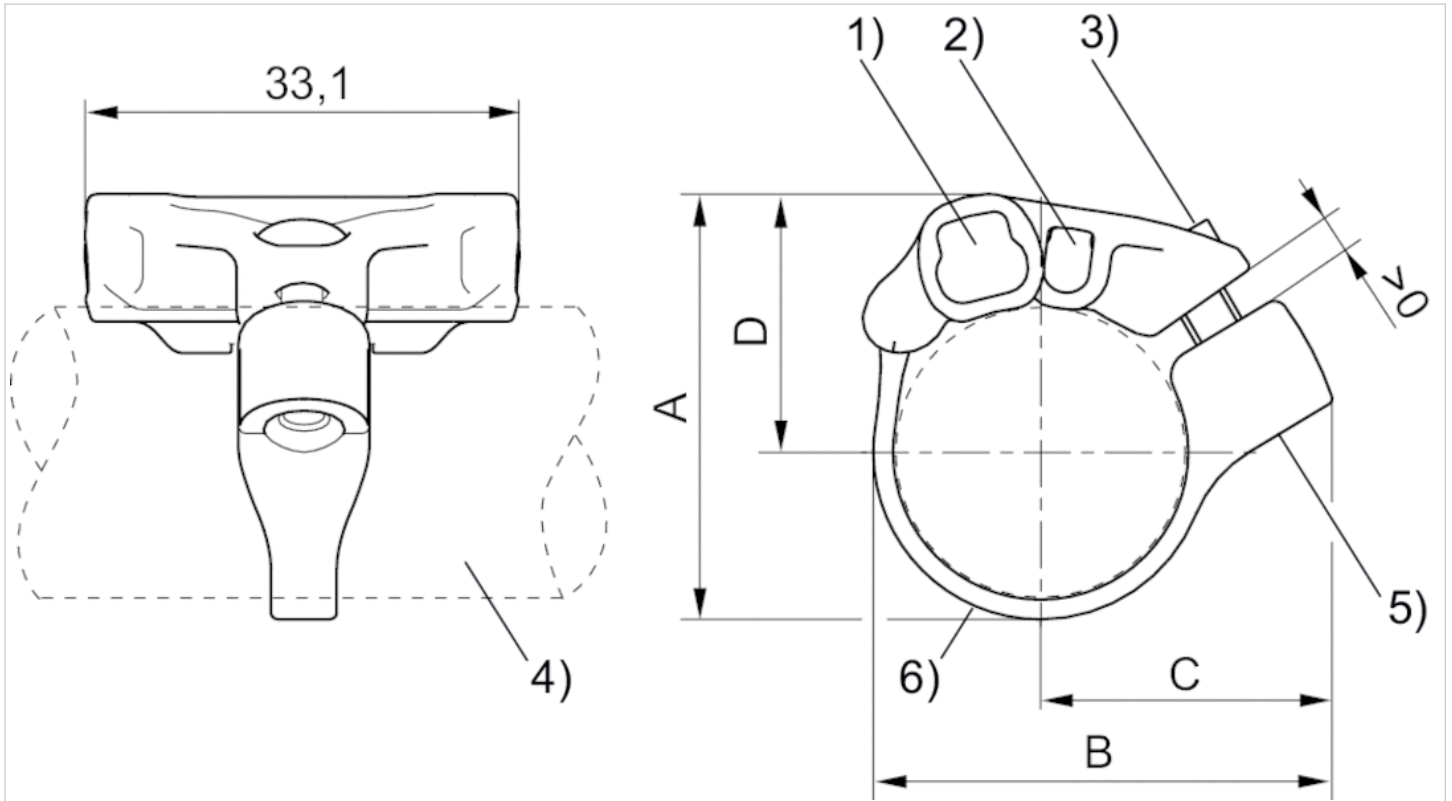
Technical data

Part No.	Cylinders Ø	for series	Scope of delivery
	min.		
R412021791	16 mm	ST4, ST6	1 piece
R412021792	20 mm	ST4, ST6	1 piece
R412021793	25 mm	ST4, ST6	1 piece

Technical information

Material	
	Polyamide Stainless steel

Dimensions



1) Sensor slot for ST6 2) Sensor slot for ST4 3) Mounting screw (made of stainless steel) 4) Cylinder profile 5) Thread insert (made of stainless steel) 6) Tightening strap

Dimensions

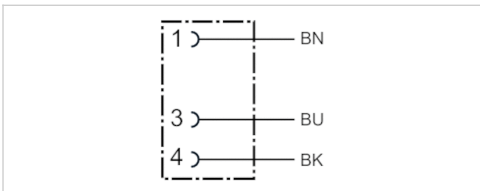
Part No.	A	B	C	D
R412021791	27.7	32.5	22.1	17.3
R412021792	32.4	35	22.4	19.7
R412021793	37.4	39.5	24.3	22.2

Round plug connector, Series CON-RD

- Socket M8x1 3-pin A-coded straight 180°
- open cable ends
- with cable
- UL (Underwriters Laboratories)
- unshielded



Ambient temperature min./max.	-25 ... 85 °C
Operational voltage	48 V AC/DC
Protection class	IP67
Wire cross-section	0.24 mm ²
Weight	See table below



Technical data

Part No.	Max. current	Number of wires	Cable-Ø	Cable length	Certification	Weight
1834484166	4 A	3	4.5 mm	3 m	UL (Underwriters Laboratories)	0.087 kg
1834484168	4 A	3	4.5 mm	5 m	UL (Underwriters Laboratories)	0.141 kg
1834484247	4 A	3	4.5 mm	10 m	UL (Underwriters Laboratories)	0.277 kg

Technical information

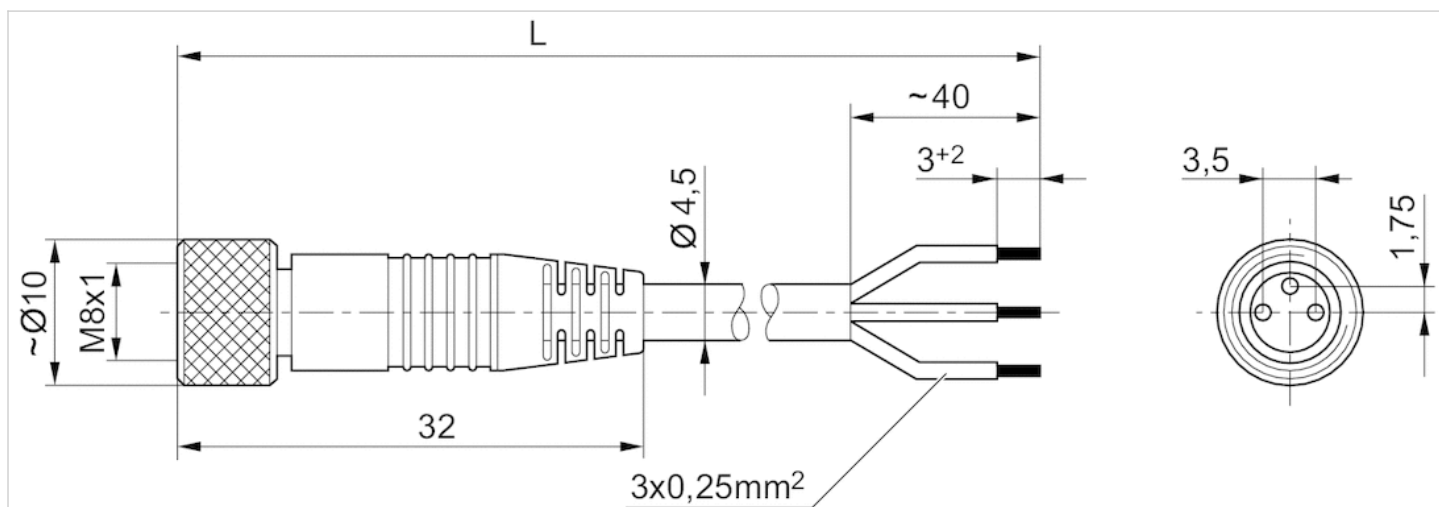
The specified protection class is only valid in assembled and tested state.

Technical information

Material	
Housing	Polyurethane
Cable sheath	Polyurethane

Dimensions

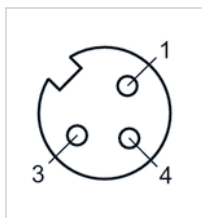
Dimensions



L = length

Pin assignments

Pin assignment, socket



- (1) BN=brown
- (3) BU=blue
- (4) BK=black

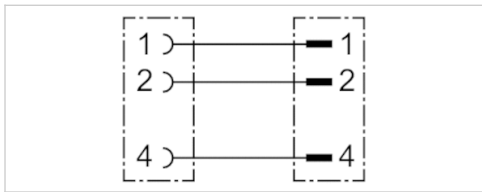
Round plug connector, Series CON-RD

- Socket M8x1 3-pin A-coded straight 180°
- Plug A-coded straight 180°
- with cable
- unshielded



Protection class
Weight

IP68
See table below



Technical data

Part No.	Number of wires	Cable-Ø	Cable length	Weight
8946203702	3	4.5 mm	1 m	0.038 kg
8946203712	3	4.5 mm	2 m	0.067 kg
8946203722	3	4.5 mm	5 m	0.148 kg

Technical information

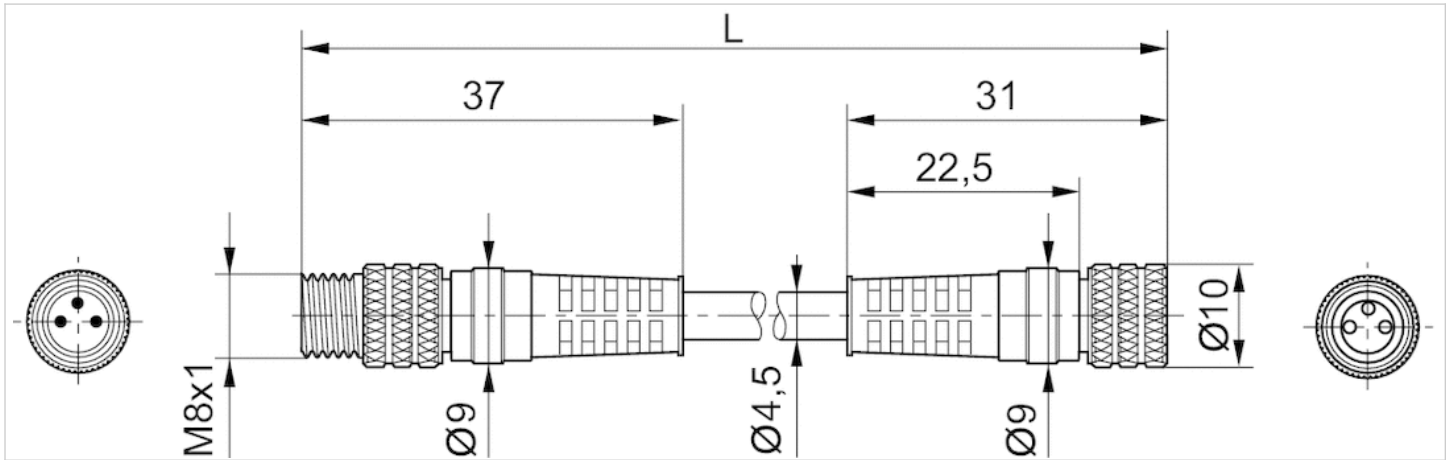
The specified protection class is only valid in assembled and tested state.

Technical information

Material	
Cable sheath	Polyvinyl chloride

Dimensions

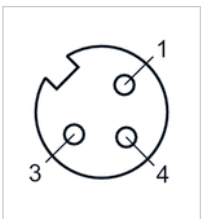
Dimensions



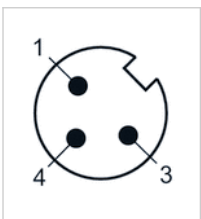
L = length

Pin assignments

Pin assignment, socket



Plug pin assignment

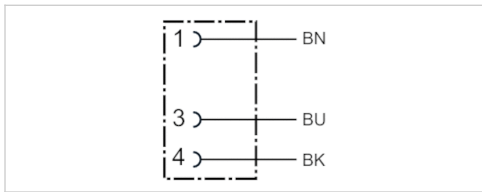


Round plug connector, Series CON-RD

- Socket M8x1 3-pin A-coded angled 90°
- open cable ends
- with cable
- unshielded



Ambient temperature min./max.	-40 ... 85 °C
Operational voltage	48 V AC/DC
Protection class	IP67
Wire cross-section	0.24 mm ²
Weight	See table below



Technical data

Part No.	Max. current	Number of wires	Cable-Ø	Cable length	Weight
1834484167	4 A	3	4.5 mm	3 m	0.087 kg
1834484169	4 A	3	4.5 mm	5 m	0.139 kg
1834484248	4 A	3	4.5 mm	10 m	0.279 kg

Technical information

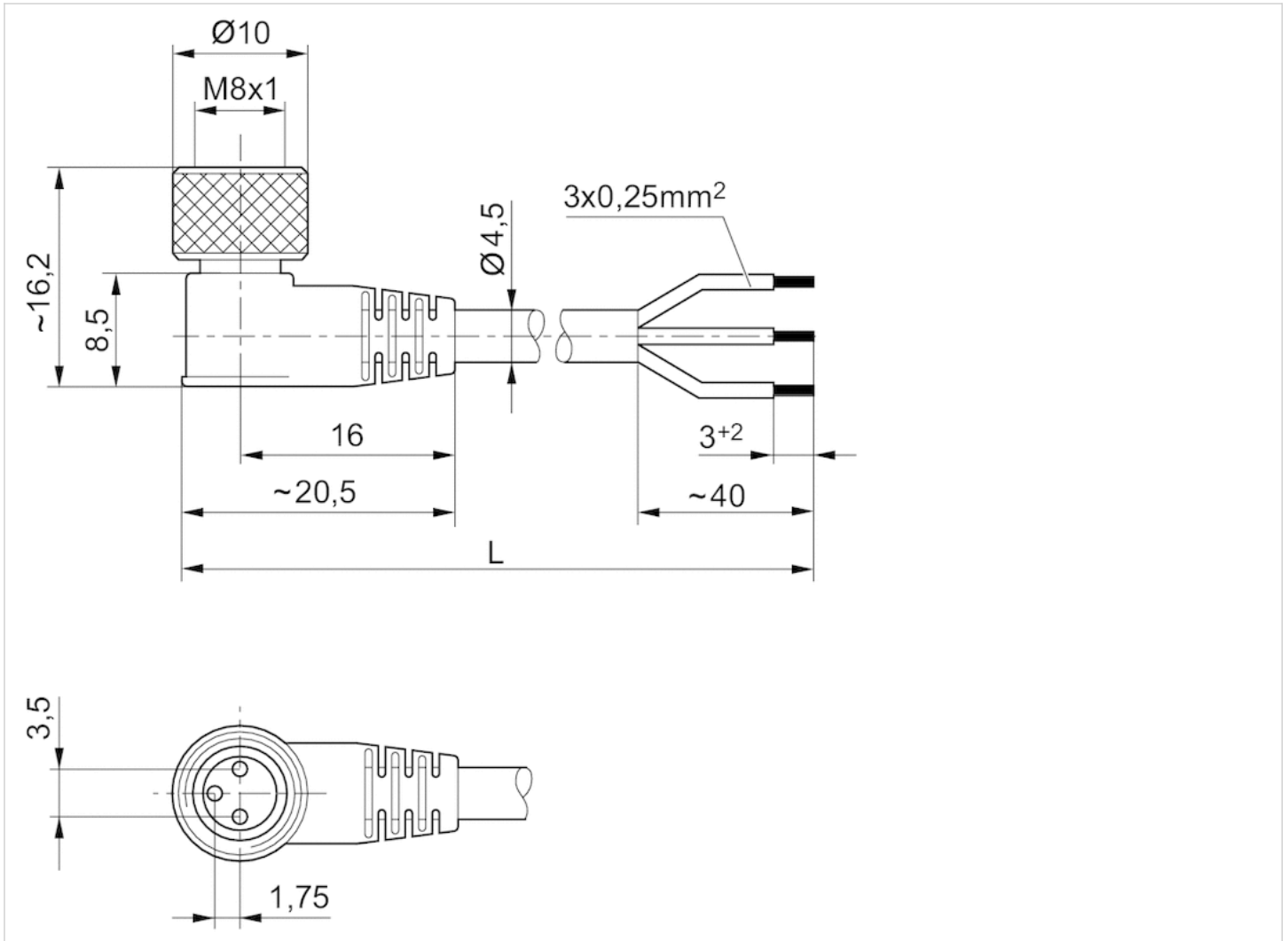
The specified protection class is only valid in assembled and tested state.

Technical information

Material	
Housing	Polyurethane
Cable sheath	Polyurethane

Dimensions

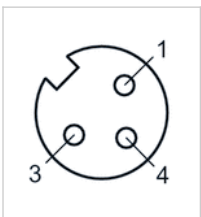
Dimensions



L = length

Pin assignments

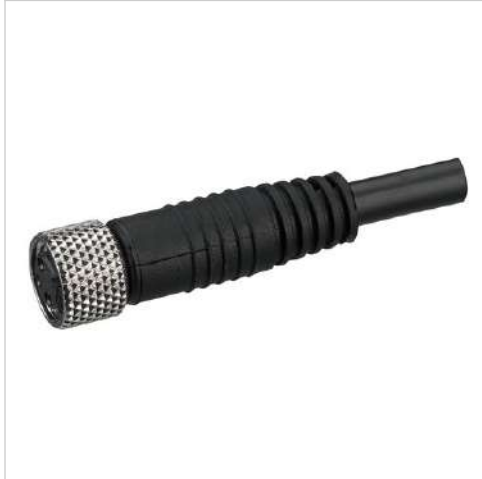
Pin assignment, socket



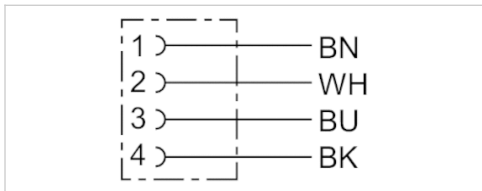
- (1) BN=brown
- (3) BU=blue
- (4) BK=black

Round plug connector, Series CON-RD

- Socket M8x1 4-pin A-coded straight 180°
- open cable ends
- with cable
- UL (Underwriters Laboratories)
- unshielded



Ambient temperature min./max.	-40 ... 85 °C
Operational voltage	48 V AC/DC
Protection class	IP67
Wire cross-section	0.25 mm ²
Weight	See table below



Technical data

Part No.	Max. current	Number of wires	Cable-Ø	Cable length	Certification	Weight
1834484144	4 A	4	4.5 mm	3 m	UL (Underwriters Laboratories)	0.087 kg
1834484146	4 A	4	4.5 mm	5 m	UL (Underwriters Laboratories)	0.14 kg

Technical information

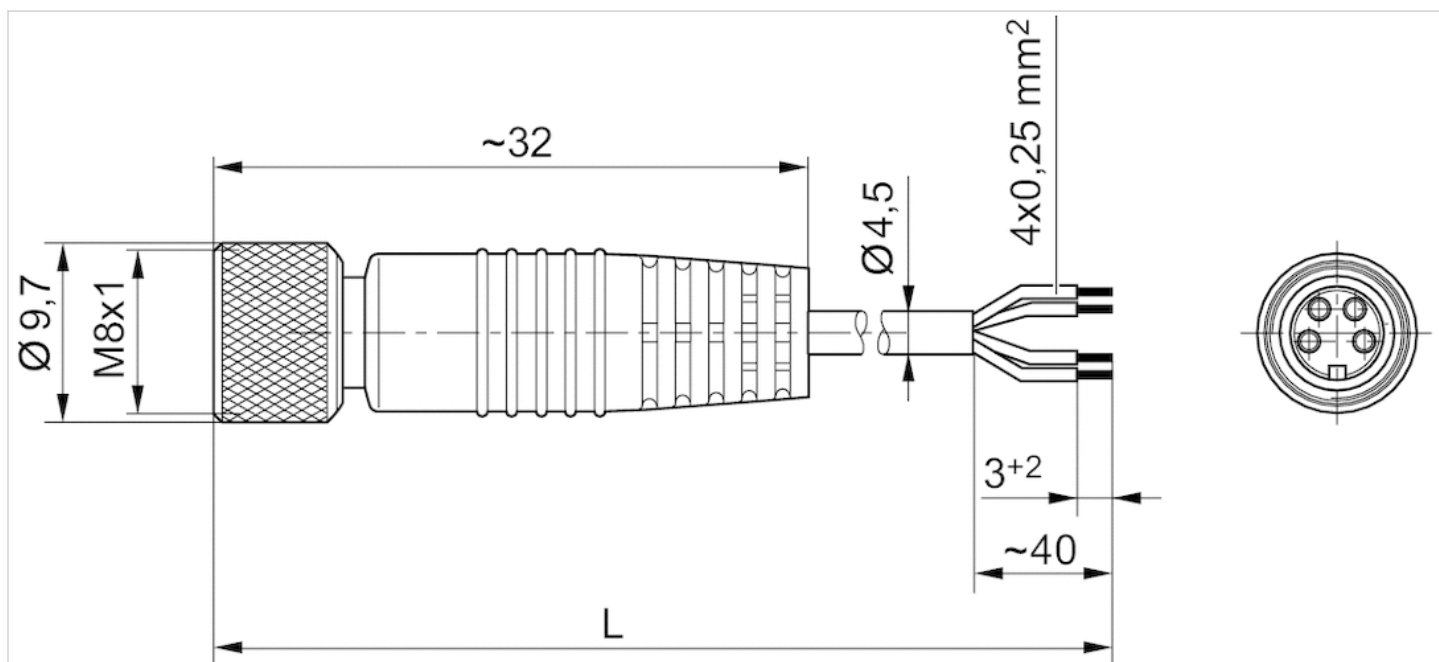
The specified protection class is only valid in assembled and tested state.

Technical information

Material	
Housing	Polyurethane
Cable sheath	Polyurethane

Dimensions

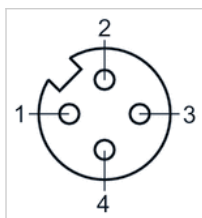
Dimensions



L = length

Pin assignments

Pin assignment, socket



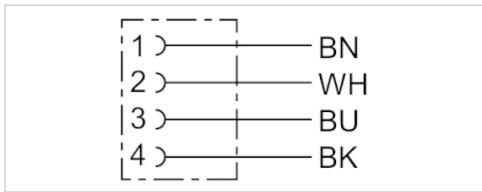
- (1) BN=brown
- (2) WH=white
- (3) BU=blue
- (4) BK=black

Round plug connector, Series CON-RD

- Socket M8x1 4-pin A-coded angled 90°
- open cable ends
- with cable
- unshielded



Ambient temperature min./max.	-25 ... 85 °C
Operational voltage	48 V AC/DC
Protection class	IP67
Wire cross-section	0.25 mm ²
Weight	See table below



Technical data

Part No.	Max. current	Number of wires	Cable-Ø	Cable length	Weight
1834484145	4 A	4	4.5 mm	3 m	0.086 kg
1834484147	4 A	4	4.5 mm	5 m	0.141 kg

Technical information

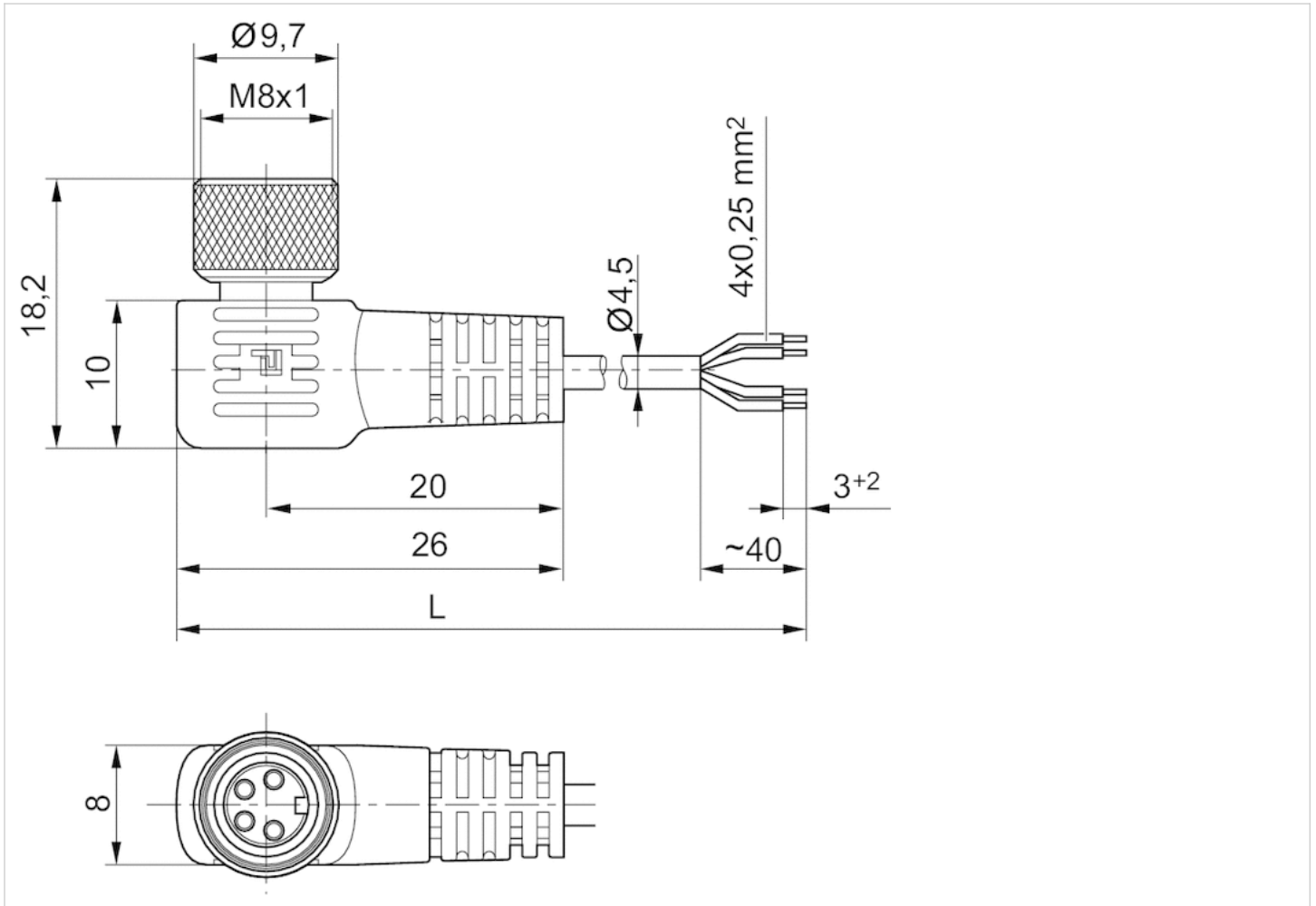
The specified protection class is only valid in assembled and tested state.

Technical information

Material	
Housing	Polyurethane
Cable sheath	Polyurethane

Dimensions

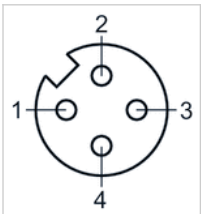
Dimensions



L = length

Pin assignments

Pin assignment, socket



- (1) BN=brown
- (2) WH=white
- (3) BU=blue
- (4) BK=black

Name plate

- Halogen-free
- Direct mounting for series ST4, ST6



Ambient temperature min./max. -40 ... 100 °C

Technical data

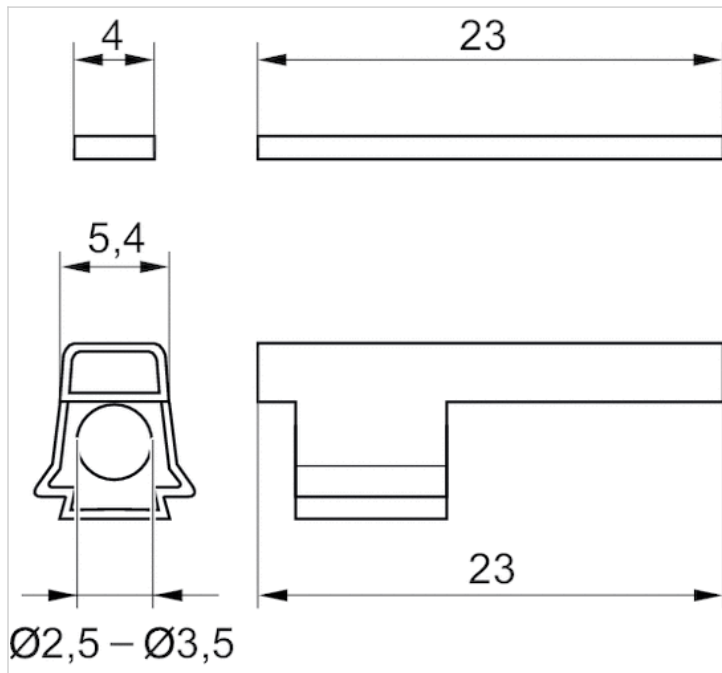
Part No.	for	Delivery unit
R412026278	ST4, ST6	10 piece

Scope of delivery: 10 marking sleeves and 10 marking signs, Cable not included in the scope of delivery

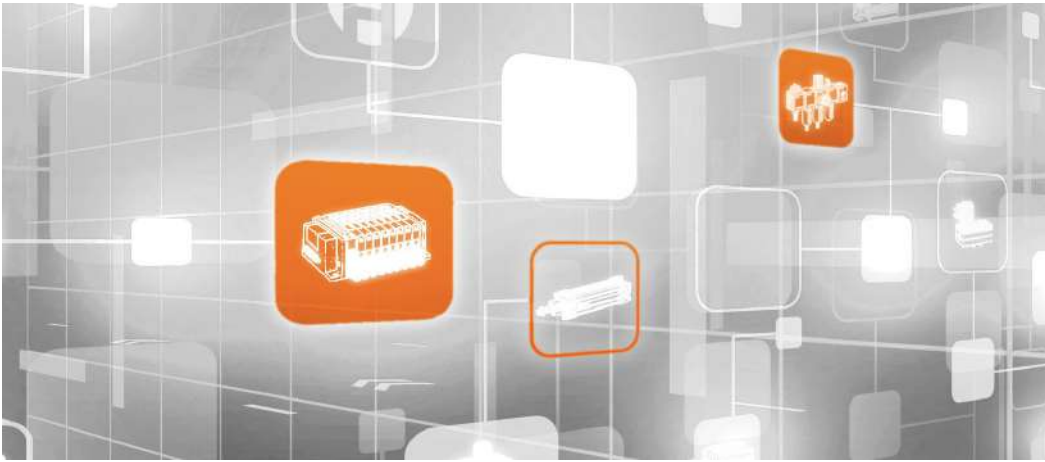
Technical information

Material	
Housing	Polycarbonate

Dimensions



Efficient pneumatic solutions, our program: cylinders and drives, valves and valve systems, air supply management



Visit us: [Emerson.com/Aventics](https://www.emerson.com/Aventics)

Your local contact: [Emerson.com/contactus](https://www.emerson.com/contactus)



Emerson.com



[Facebook.com/EmersonAutomationSolutions](https://www.facebook.com/EmersonAutomationSolutions)



[LinkedIn.com/company/Emerson-Automation-Solutions](https://www.linkedin.com/company/Emerson-Automation-Solutions)



[Twitter.com/EMR_Automation](https://twitter.com/EMR_Automation)

An example configuration is depicted on the title page. The delivered product may thus vary from that in the illustration. Subject to change. This Document, as well as the data, specifications and other information set forth in it, are the exclusive property of AVENTICS GmbH. It may not be reproduced or given to third parties without its consent. Only use the AVENTICS products shown in industrial applications. Read the product documentation completely and carefully before using the product. Observe the applicable regulations and laws of the respective country. When integrating the product into applications, note the system manufacturer's specifications for safe use of the product. The data specified only serve to describe the product. No statements concerning a certain condition or suitability for a certain application can be derived from our information. The information given does not release the user from the obligation of own judgment and verification. It must be remembered that the products are subject to a natural process of wear and aging.

The Emerson logo is a trademark and service mark of Emerson Electric Co. Brand logotype are registered trademarks of one of the Emerson family of companies. All other marks are the property of their respective owners. © 2017 Emerson Electric Co. All rights reserved.
2019-03



CONSIDER IT SOLVED™