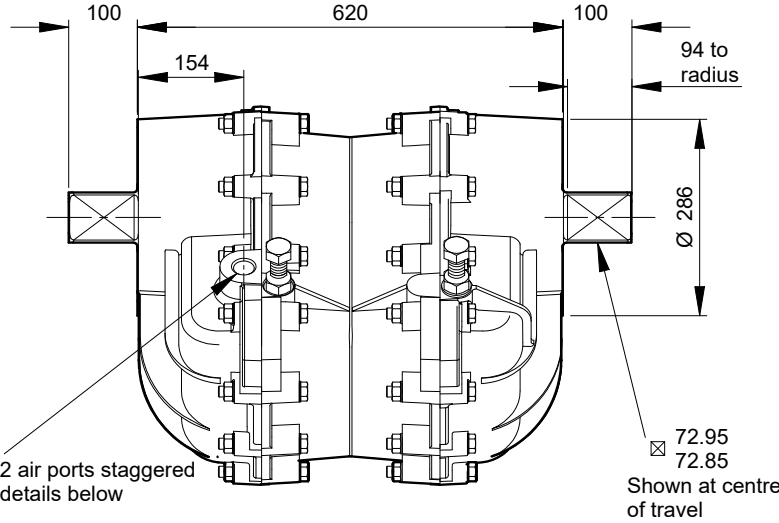
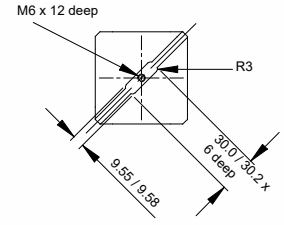
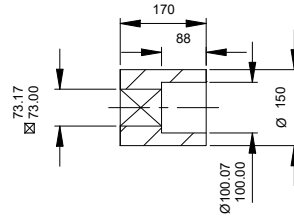


Model 20



Standard Coupling
(supplied with actuator
weight 34 lbs/15.4 kg)

Vane Slot detail both ends



Specification

Output Torque

112000 lbf ins/12760 Nm
at 100 psi/7 bar

Angle of Travel (adjustable)

80° - 100°
(restricted travel
versions available)

Displaced Volume

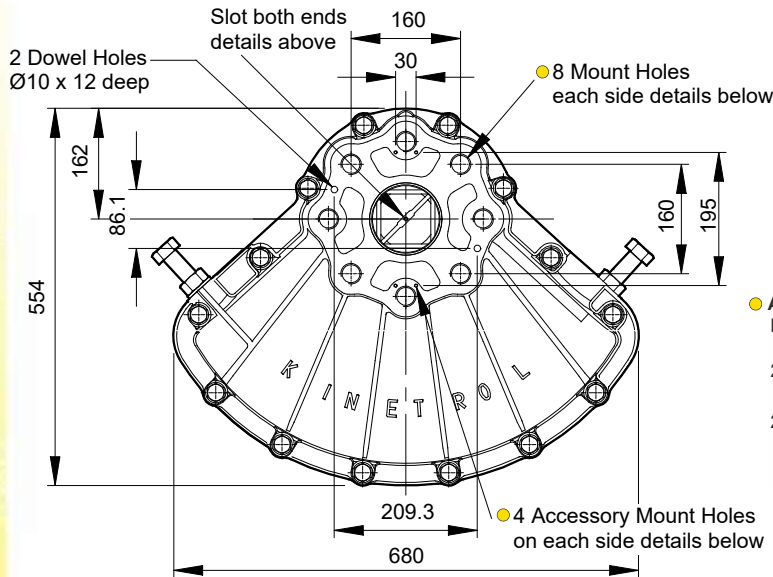
2034 in³/33350 cm³

Finish

Epoxy stove enamel

Weight

440 lb/199.6 kg
(excluding coupling)



Air Port/Mount Hole Details

Model	Air Ports	Mount Holes & Accessory Mount Holes
204-100	G1	8 x M30 x 50 deep on 226.3 PCD 4 x M5 x 8 deep
207-100	1 NPT	8 x 1 1/8" - 7 UNC x 2.00" deep on 8.91" PCD 4 x 10-24 UNC x 0.31" deep

Options

- Fail safe spring return units - clockwise or counter clockwise see pages 27-29
- Female drive and mounting details to DIN 3337 and ISO 5211 see pages 57/58
- Limit switch boxes for open/close indication - various switches for hazardous areas see pages 31-34
- Geared manual override see page 55
- AP pneumatic positioner - full range of options see pages 41/42
- Code identification see page 30
- EL electropneumatic positioner - full range of options see pages 39/40
- Torque outputs see pages 6-8
- See pages 57-60 for English dimensions and dimensions of spring options
- High Temperature / Low temperature options see page 5

For further information
see General Specification
on page 5.

