

KYTOLA® Model V Variable Area Flow Meter is designed for reliable measuring and monitoring of liquid and gas flows.

It comes in a range of different options and offers a choice of end blocks – aluminium, stainless steel AISI 316 or polyamide.



- Sturdy construction
- Impact resistant flow tube
- Model VE also in multi-tube versions
- Scales for alternative liquids and gases

ISO 9001 ISO 14001

FLOW METER VD, VE, VL

FEATURES

Large selection of materials

Alarm-ready

Models VD and VE with built-in flow adjustment valve and quick change flow tube

TYPICAL APPLICATIONS

Lubrication oil measurement

Sealing and cooling water measurement

Flush water applications

Gas flow measurements

OPTIONS

Low and high flow alarm

Constant flow regulator

Viton or EPDM seals

PES flow tube

Model	VDA	VDH	VDK
End blocks	Aluminium	AISI 316	Nylon
Side plates	AISI 316	AISI 316	AISI 316
Max. pressure	30 bar	30 bar	20 bar
Max. temperature	80°C (*120°C)	80°C (*120°C)	80°C
Weight	0.75 kg	2.00 kg	0.95 kg
Valve housing	Aluminium	AISI 316	AISI 316
Valve spindle	AISI 316	AISI 316	AISI 316
Flow tube	Grilamid (PA-12) (*PES)		
Connections	G 1/2" or NPT 1/2"		
Float	AISI 329 or AISI 329/PTFE (depending on range)		
Seals	Nitrile (*Viton®, EPDM)		
Accuracy	±5% F.S. (H ₂ O, +20°C)		

*Special construction on request

VD

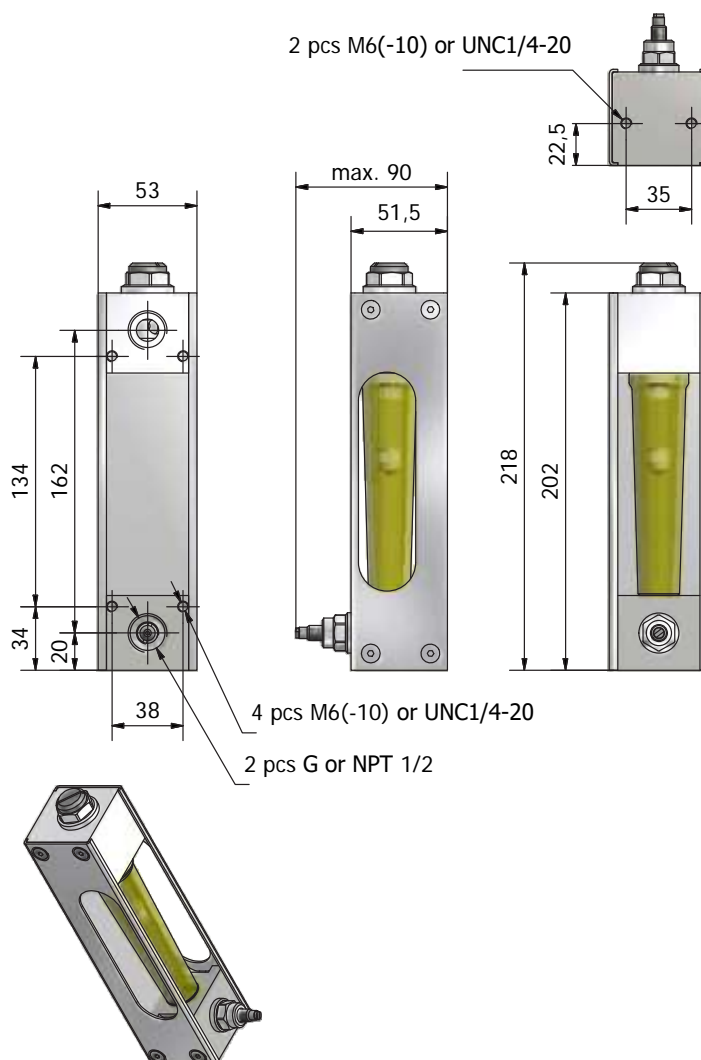
End Block Material		
Aluminium (not for H ₂ O)	A	
AISI 316	H	
Nylon	K	

Flow Range			
H ₂ O L/min	Air NL/min		
0.4 – 2	15 – 75	6H	
0.75 – 3	30 – 130	3H	
1.25 – 5	40 – 180	3K	
2 – 9	80 – 280	3L	
2.5 – 10	75 – 325	3M	
3 – 16	100 – 600	4N	
4 – 17	100 – 650	4D	
4 – 22	100 – 1100	4E	
7.5 – 32.5	–	4F	

Scale		
H ₂ O (L/min) at +20°C	A	
Air (NL/min) at +20°C/1.013 bar (abs)	R	

Features		
Alarm readiness	D	
Hand knob in valve	H	
G connections	blank	
NPT connections	N	
Grilamid flow tube, nitrile seals	blank	
PES flow tube, nitrile seals	V	
PES flow tube, Viton® seals	W	
Grilamid flow tube, Viton® seals	X	

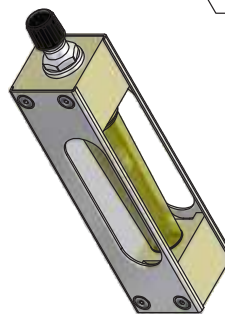
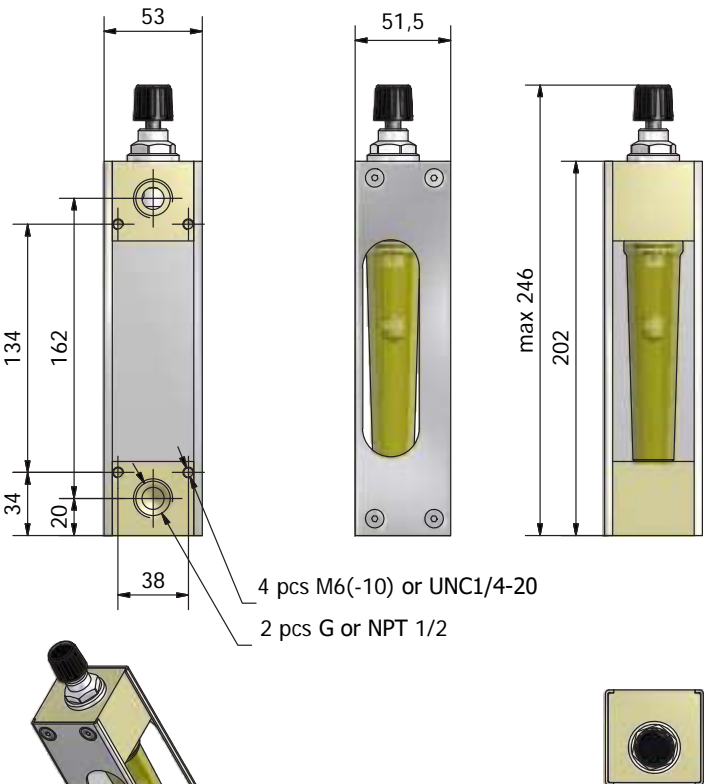
Standard feature: leave blank
Special feature: choose Character



Model	VEA	VEH	VEK
End blocks	Aluminium	AISI 316	Nylon
Side plates	AISI 316	AISI 316	AISI 316
Max. pressure	30 bar	30 bar	20 bar
Max. temperature	80°C (*120°C)	80°C (*120°C)	80°C
Weight	0.75 kg	2.00 kg	0.95 kg
Valve housing	Aluminium	AISI 316	AISI 316
Valve spindle	AISI 316	AISI 316	AISI 316
Flow tube	Grilamid (PA-12) (*PES)		
Connections	G 1/2" or NPT 1/2"		
Float	AISI 329 or AISI 329/PTFE (depending on range)		
Seals	Nitrile (*Viton®, EPDM)		
Accuracy	±5% F.S. (H ₂ O, +20°C)		

*Special construction on request

VE			
End Block Material			
Aluminium (not for H ₂ O)	A		
AISI 316	H		
Nylon	K		
Flow Range			
H ₂ O L/min	Air NL/min		
0.4 – 2	15 – 70		6H*
0.75 – 3	30 – 130		3H*
1.25 – 5	40 – 180		3K*
2 – 9	60 – 260		3L*
2.5 – 10	75 – 300		3M*
2 – 15	75 – 400		4N*
4 – 16	100 – 450		4D*
4 – 22	100 – 650		4E*
5 – 30	150 – 700		4F*
Scale			
H ₂ O (L/min) at +20°C		A	
Air (NL/min) at +20°C/1.013 bar (abs)		R	
Features			
Alarm readiness		D	
G connections	blank		
NPT connections		N	
Grilamid flow tube, nitrile seals	blank		
PES flow tube, nitrile seals		V	
PES flow tube, Viton® seals		W	
Grilamid flow tube, Viton® seals		X	
Standard feature: leave blank			
Special feature: choose Character			



* Air flow ranges (20°C/1.013 bar abs) for calibration purposes only

Model	VLA	VLH	VLK
End blocks	Aluminium	AISI 316	Nylon
Side plates	AISI 316	AISI 316	AISI 316
Max. pressure	30 bar	30 bar	20 bar
Max. temperature	80°C (*120°C)	80°C (*120°C)	80°C
Weight	0.75 kg	2.00 kg	0.95 kg
Flow tube	Grilamid (PA-12) (*PES)		
Connections	G 1/2" or NPT 1/2"		
Float	AISI 329 or AISI 329/PTFE (depending on range) Note! Other possible wetted metal parts: AISI 316		
Seals	Nitrile (*Viton®, EPDM)		
Accuracy	±5% F.S. (H ₂ O, +20°C)		

*Special construction on request

VL - - -

End Block Material		
Aluminium (not for H ₂ O)	A	
AISI 316	H	
Nylon	K	

Flow Range		
H ₂ O L/min	Air NL/min	
0.4 – 2	15 – 75	6H
0.75 – 3.25	30 – 130	3H
1.5 – 5.5	40 – 180	3K
2 – 9	80 – 300	3L
3 – 10	75 – 325	3M
2 – 16	75 – 450	4N
3 – 18	100 – 500	4D
4 – 22	100 – 700	4E
5 – 30	150 – 900	4F

Scale		
H ₂ O (L/min) at +20°C	A	
Air (NL/min) at +20°C/1.013 bar (abs)	R	

Features		
Alarm readiness	D	
G connections	blank	
NPT connections	N	
Grilamid flow tube, nitrile seals	blank	
PES flow tube, nitrile seals	V	
PES flow tube, Viton® seals	W	
Grilamid flow tube, Viton® seals	X	

Standard feature: leave *blank*
Special feature: choose **Character**

