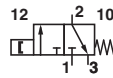


- > **Port size: Ø 3 mm**
- > **Optical pressure indicator signals position**
- > **Non-contact sensing with pneumatic output**



Technical features

Medium:

Compressed air, filtered and non-lubricated

Operation:

Pneumatic proximity switch for non-contact sensing via a magnetic field

Operating pressure:

2 ... 6 bar (29 ... 87 psi)

Connections:

Pipes for 3 mm I/D tubing

Vibration resistance:

10 ... 50 Hz (to IEC 68 T. 2-27)

Shock resistance:

500 m/s² over a period of 5 ms (to IEC 68 T. 2-27)

Flow rate:

40 l/min

Orifice size:

2 mm

Repeatability:

± 0,2 mm

Can be used with cylinder:

Ø 10 ... 100 mm

Operating temperature:

-15 ... +60°C (+5 ... +140°F)

Humidity and water content:

Air supply must be dry.

Corresponding of the application and working conditions the air must be dry enough to avoid condensate. The pressure dewpoint must be minimum 15° under the application and working conditions.

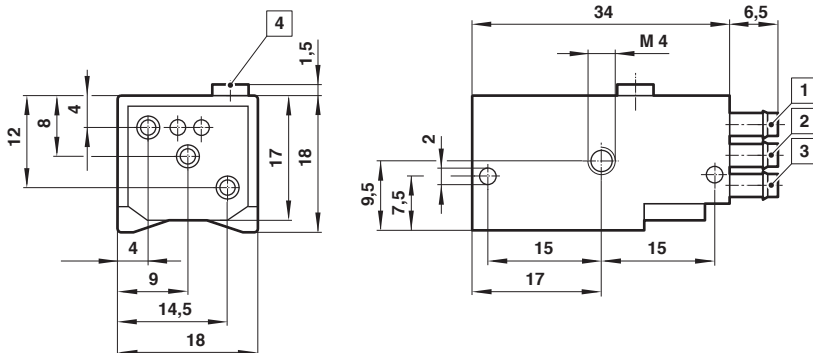
Materials

Body: Plastic

Pipe connectors: Brass

Holding strap: CU ZU 37 (brass)

Dimensions



1 Compressed air port 1

2 Output port 2

3 Exhaust port

4 Optical indicator

Accessories



*1) In scope of delivery

Warning

These products are intended for use in industrial compressed air systems only. Do not use these products where pressures and temperatures can exceed those listed under »Technical features/data«.

Before using these products with fluids other than those specified, for non-industrial applications, life-support systems or other applications not within published specifications, consult IMI Precision Engineering, Norgren GmbH.

Through misuse, age, or malfunction, components used in fluid power systems can fail in various modes.

The system designer is warned to consider the failure modes of all component parts used in fluid power systems and to provide adequate safeguards to prevent personal injury or damage to equipment in the event of such failure.

System designers must provide a warning to end users in the system instructional manual if protection against a failure mode cannot be adequately provided.

System designers and end users are cautioned to review specific warnings found in instruction sheets packed and shipped with these products.